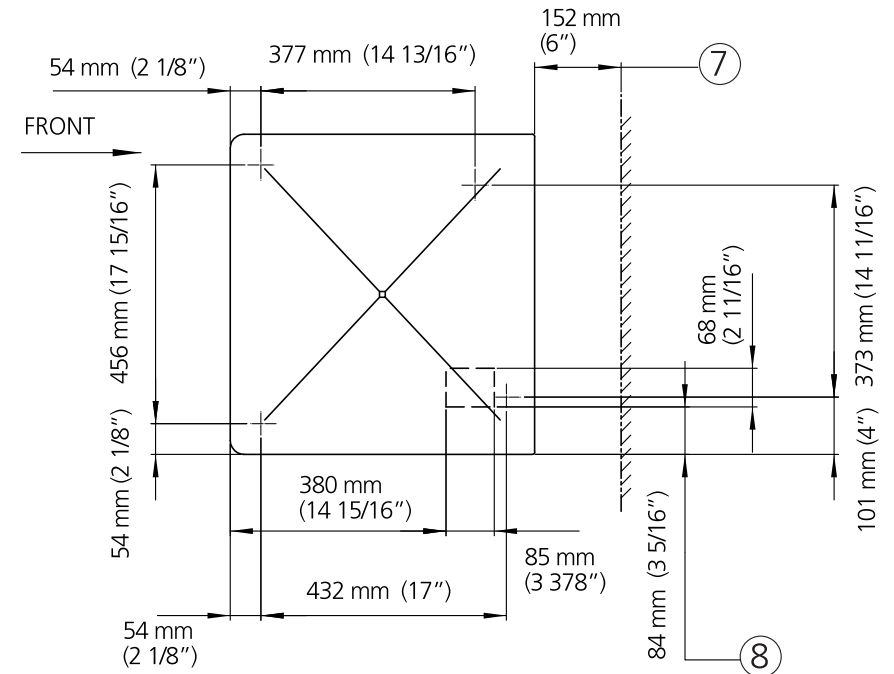
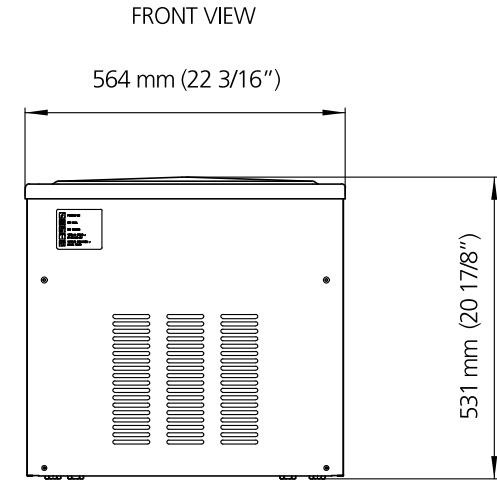
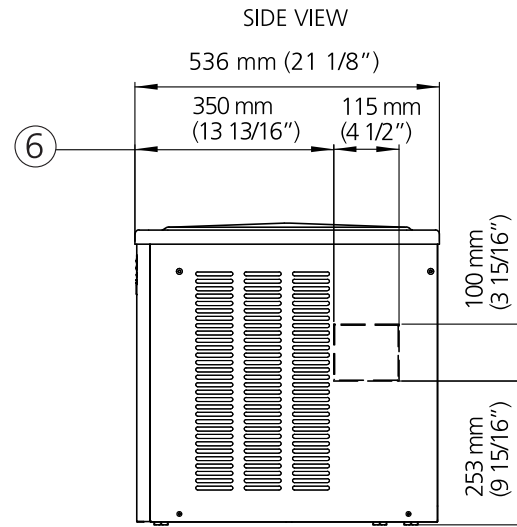
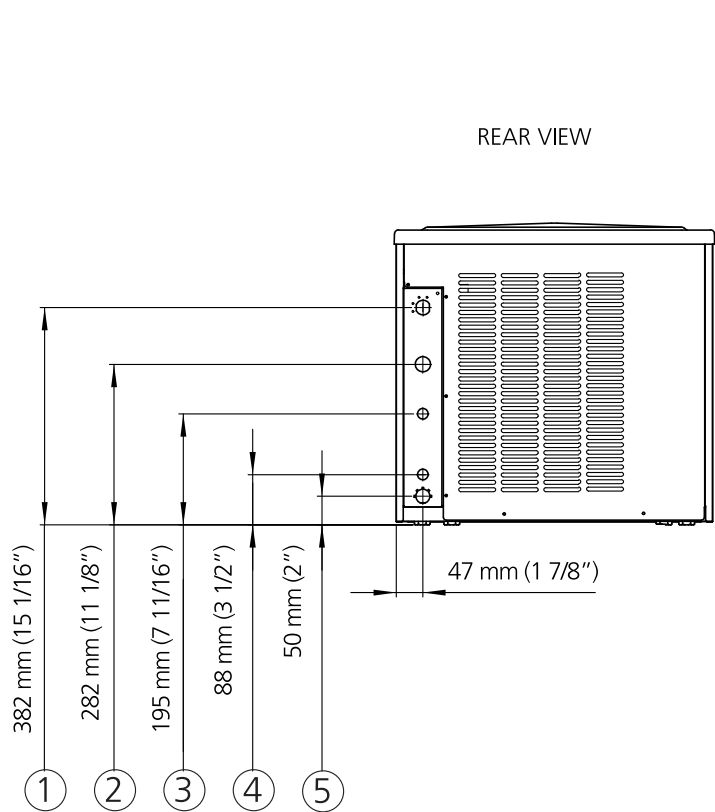


Masszeichnung

Flockeneisbereiter SP 125 L / W

[Art. 41321100001] / [Art. 41321100002]



1. CORD SET
2. 3/4" GAS WATER INLET
3. 3/4" GAS WATER INLET
WATER COOLED ONLY
4. 3/4" GAS WATER OUTLET
WATER COOLED ONLY
5. Ø 21mm WATER OUTLET
6. ICE EXIT RIGHT PANEL SIDE
7. MIN. FOR UTILITY CONNECTIONS
8. ICE EXIT BOTTOM SIDE