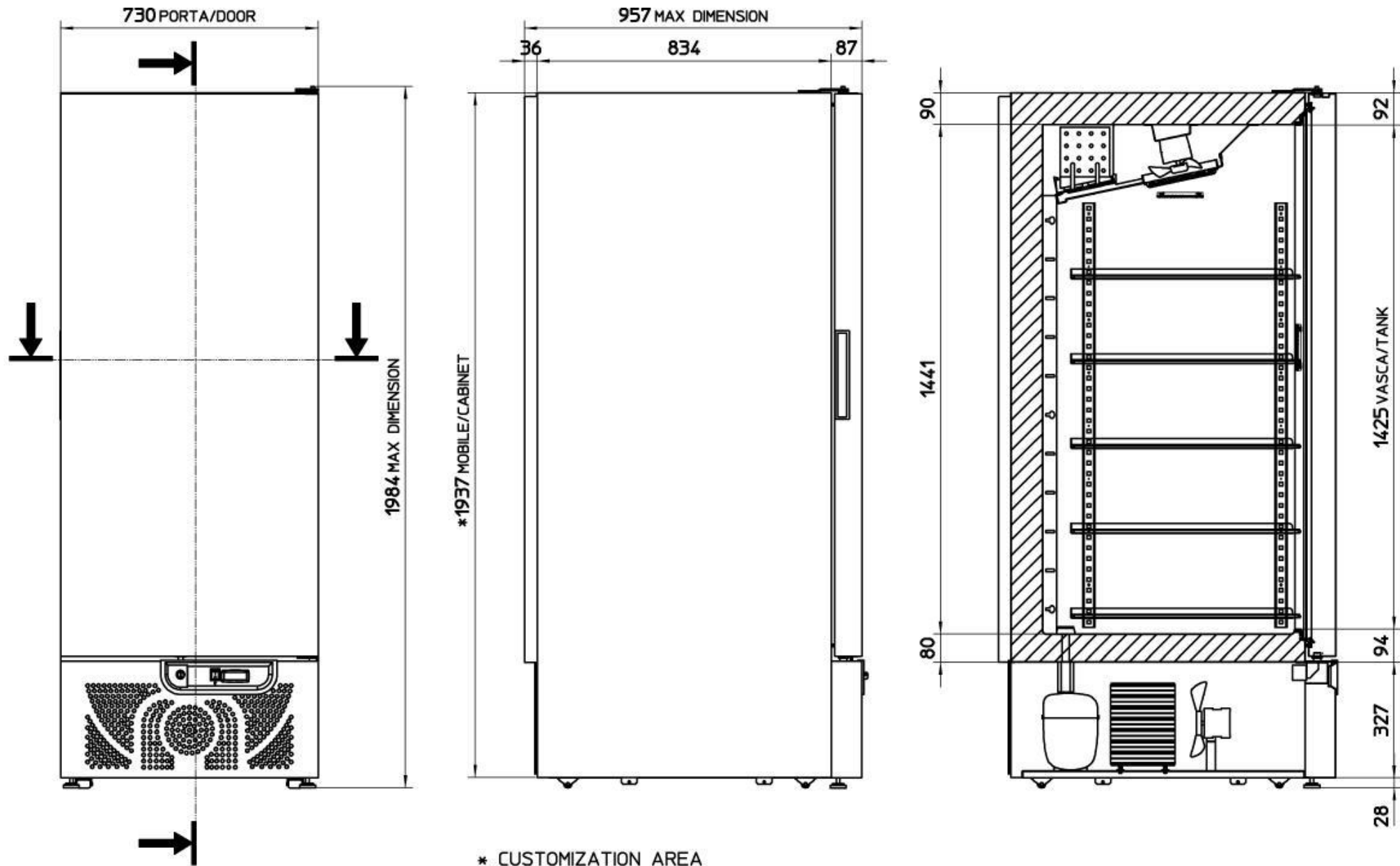
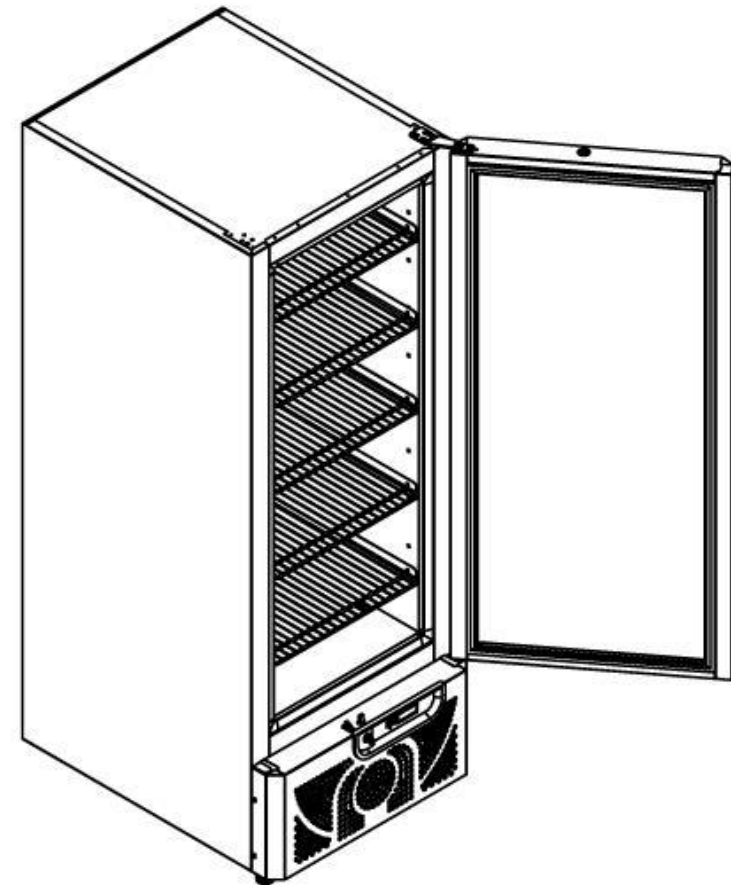
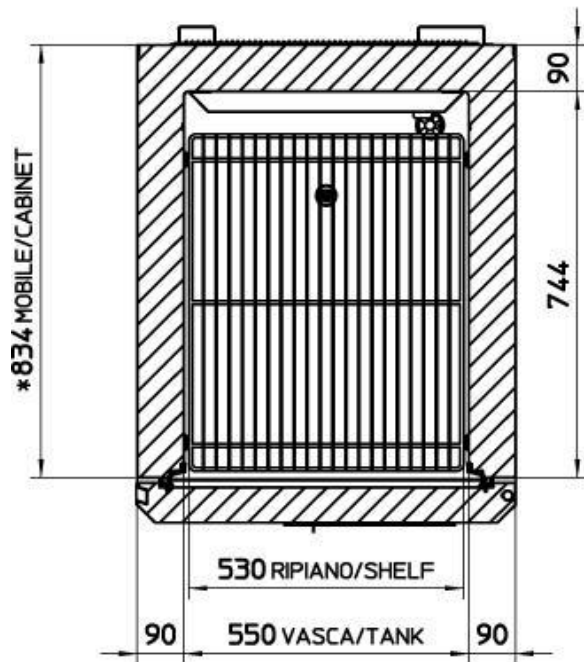


Masszeichnung

Tiefkühl-Lagerschrank LF 620-U INOX ECO POWER

[Art. 465150620]





MAX DIMENSION	mm	730x957x1984 h
GROSS CAPACITY	dmc	600
NET CAPACITY	dmc	393
DISPLAY SURFACE		
NET WEIGHT	kg	-
GROSS WEIGHT	Kg	-
PACKED DIMENSION		770x960x2150 h

LAYOUT S_46597