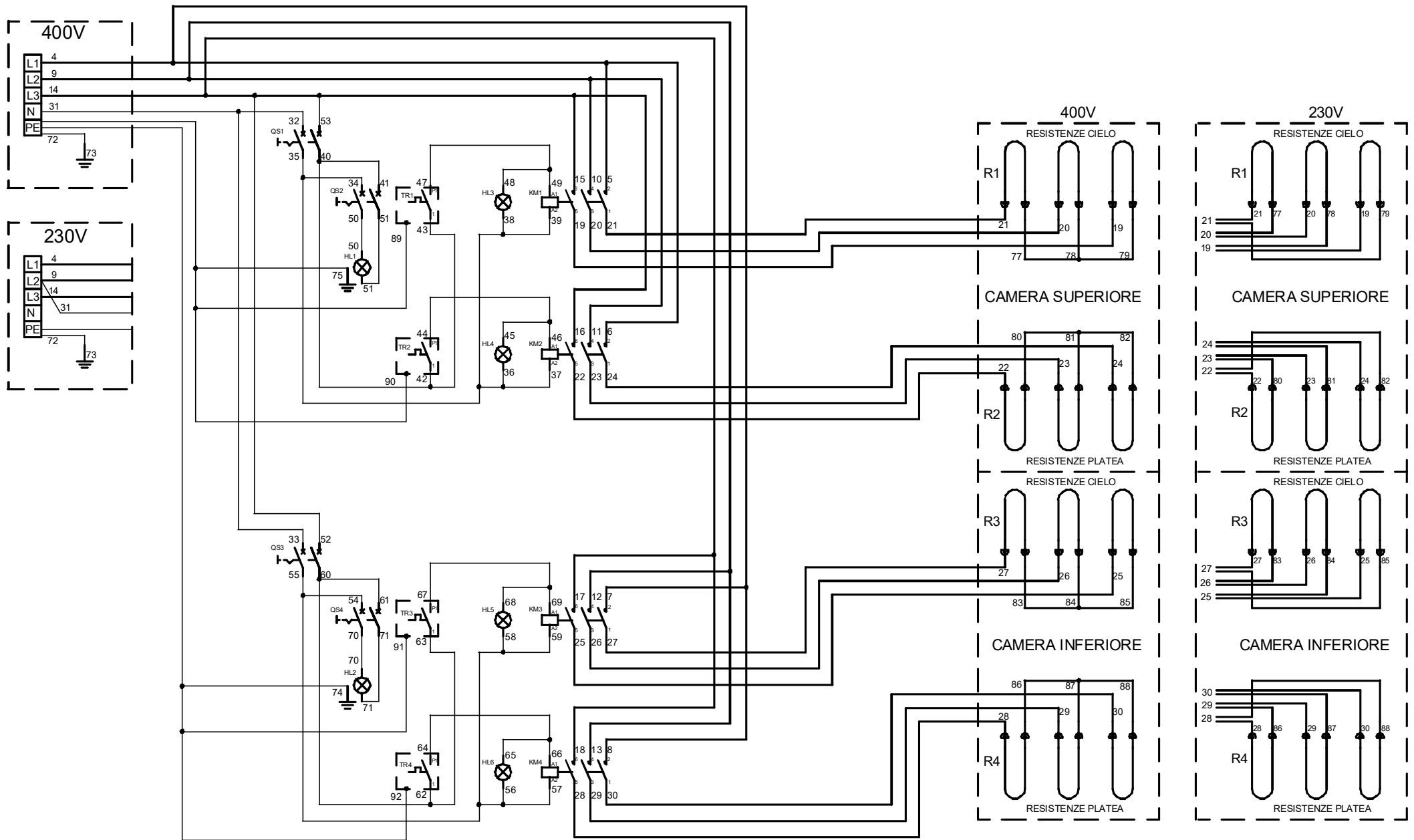


Schaltplan

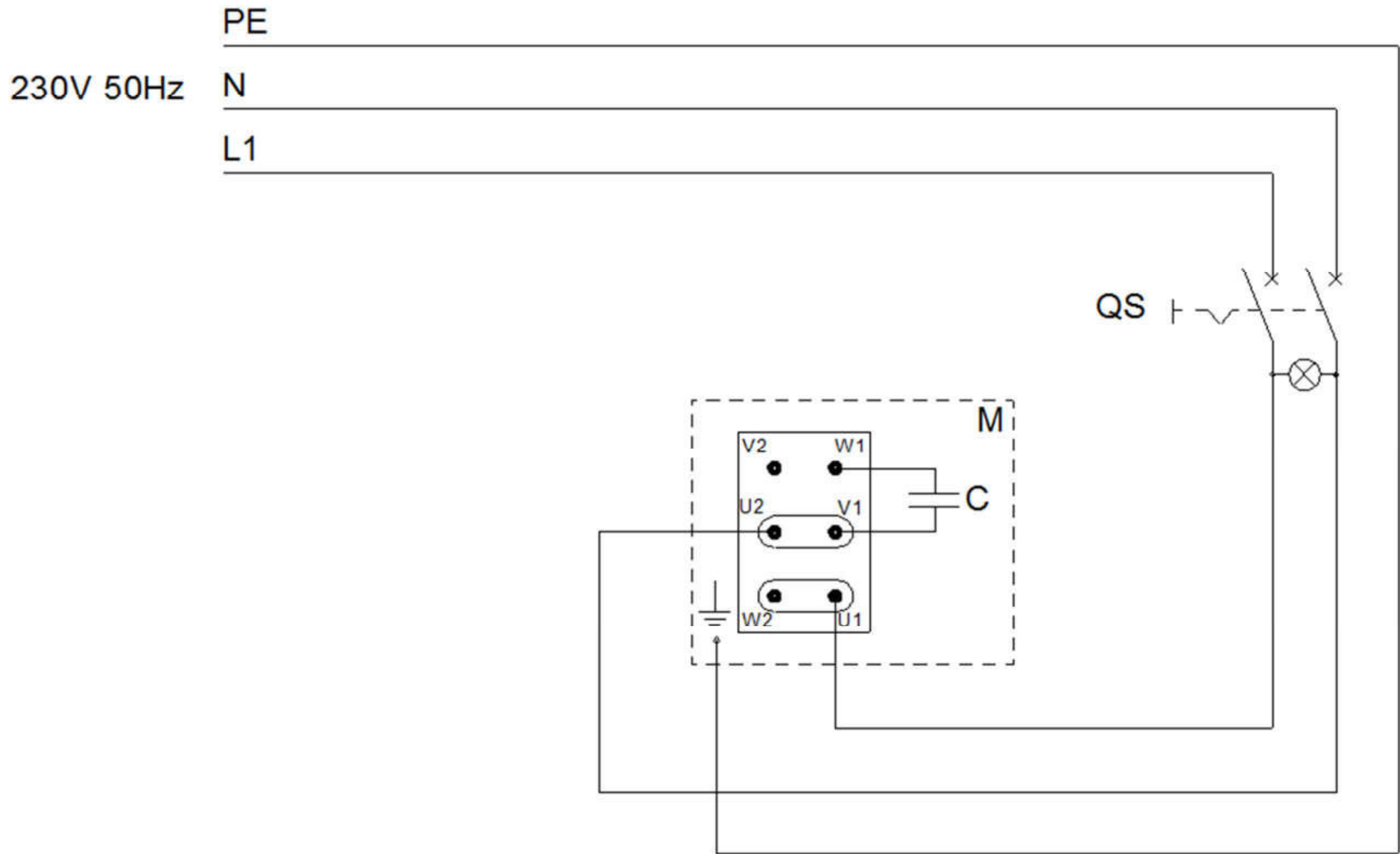
MORETTI Elektro-Pizzaofen Serie iDeck PD





74800510	Revisione 01	MOD. PD 72.72-65.105-105.105-105.65 V400 3N V230 3
----------	--------------	--

Rif.	Denominazione	Designation	Denomination	Bezeichnung	Denominación
QS1	Interruttore camera superiore	Switch	Interrupteur	Schalter	Interruptor
QS2	Interruttore illuminazione camera superiore	Light switch	Interrupteur lumière chambre	Beleuchtungschalter	Interruptor luz
QS3	Interruttore camera inferiore	Switch	Interrupteur	Schalter	Interruptor
QS4	Interruttore illuminazione camera inferiore	Light switch	Interrupteur lumière chambre	Beleuchtungschalter	Interruptor luz
HL1	Lampada illuminazione camera superiore	Lighting lamp	Lampe éclairage	Beleuchtungslampe	Luz cámara
HL2	Lampada illuminazione camera inferiore	Lighting lamp	Lampe éclairage	Beleuchtungslampe	Luz cámara
HL3	Lampada spia cielo camera superiore	Lamp	Ampoule	Lampe	Làmpara
HL4	Lampada spia platea camera superiore	Lamp	Ampoule	Lampe	Làmpara
HL5	Lampada spia cielo camera inferiore	Lamp	Ampoule	Lampe	Làmpara
HL6	Lampada spia platea camera inferiore	Lamp	Ampoule	Lampe	Làmpara
TR1	Termostato cielo camera superiore	Ceiling thermostat	Thermostat ciel	Thermostat oben	Termostato
TR2	Termostato platea camera superiore	Bottom thermostat	Thermostat plan de cuisson	Thermostat unten	Termostato
TR3	Termostato cielo camera inferiore	Ceiling thermostat	Thermostat ciel	Thermostat oben	Termostato
TR4	Termostato platea camera inferiore	Bottom thermostat	Thermostat plan de cuisson	Thermostat unten	Termostato
KM1	Contattore cielo camera superiore	Ceiling's contactor	Contacteur ciel	Kontaktgeber oben	Telerupptor
KM2	Contattore platea camera superiore	Bottom contactor	Contacteur plan de cuisson	Kontaktgeber unten	Telerupptor
KM3	Contattore cielo camera inferiore	Ceiling's contactor	Contacteur ciel	Kontaktgeber oben	Telerupptor
KM4	Contattore platea camera inferiore	Bottom contactor	Contacteur plan de cuisson	Kontaktgeber unten	Telerupptor
R1	Resistenza cielo camera superiore	Heating element ceiling	Résistance ciel	Heizelement oben	Resistencia
R2	Resistenza platea camera superiore	Heating element bottom	Résistance plan de cuisson	Heizelement unten	Resistencia
R3	Resistenza cielo camera inferiore	Heating element ceiling	Résistance ciel	Heizelement oben	Resistencia
R4	Resistenza platea camera inferiore	Heating element bottom	Résistance plan de cuisson	Heizelement unten	Resistencia
			74800510	PD 72.72-65.105-105.105-105.65 V400 3N V230 3	



Rif.	Denominazione	Designation	Denomination	Bezeichnung	Denominación
QS	Interruttore	Switch	Interruteur	Schalter	Interruptor
M	Motore elettrico	Motor	Moteur	Motor	Motor
C	Condensatore	Condenser	Condenseur	Kondensator	Condensador
			74822530	iD KX	

Finanzen/ Service

28307 Bremen
Thalendorststraße 15
Tel.+49 421 48557-0
Fax+49 421 488650
bremen@nordcap.de

Vertrieb Ost

12681 Berlin
Wolfener Straße 32/34, HausK
Tel.+49 30 936684-0
Fax+49 30 936684-44
berlin@nordcap.de

Vertrieb West

40699 Erkrath
Max-Planck-Straße 30
Tel.+49 211 540054-0
Fax+49 211 540054-54
erkrath@nordcap.de

Vertrieb Nord

21079 Hamburg
Großmoorbogen 5
Tel.+49 40 766183-0
Fax+49 40 770799
hamburg@nordcap.de

Vertrieb Süd

55218 Ingelheim
Hermann-Bopp-Straße 4
Tel.+49 6132 7101-0
Fax+49 6132 7101-20
ingelheim@nordcap.de



www.nordcap.de