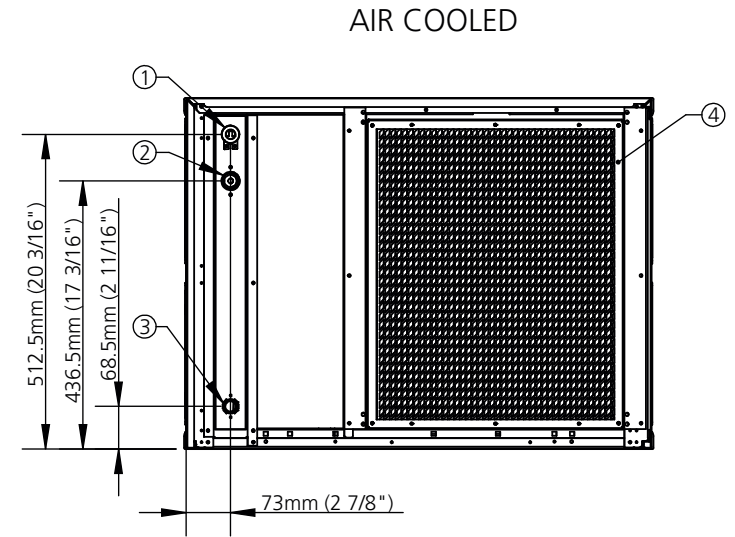
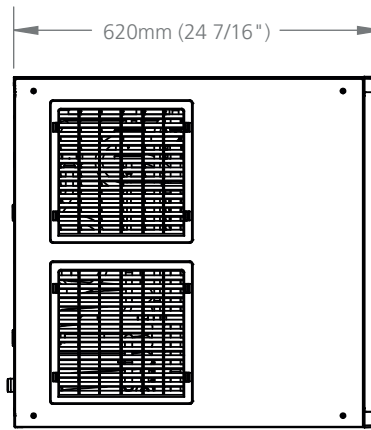
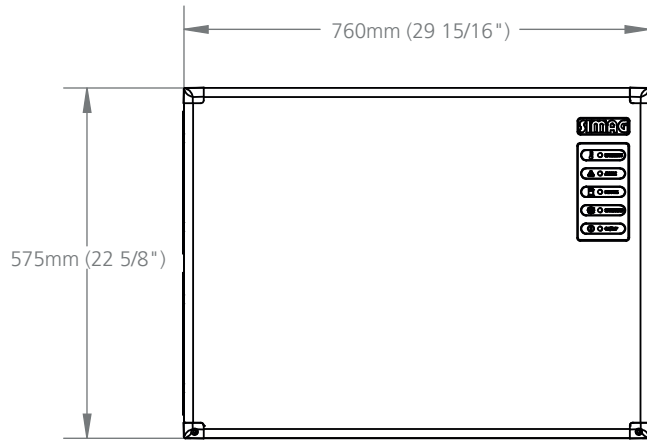


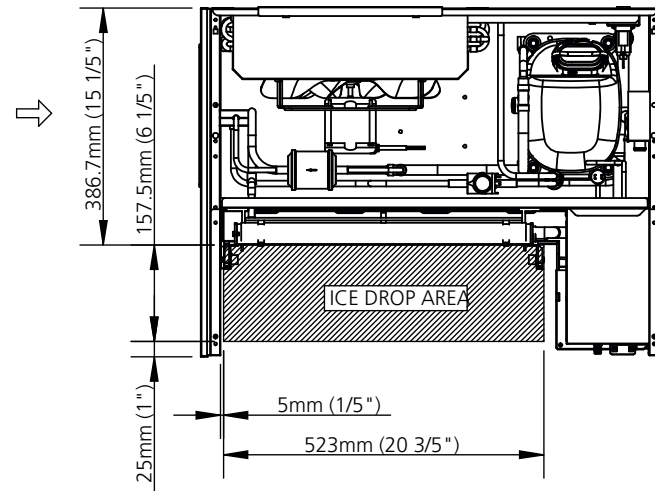
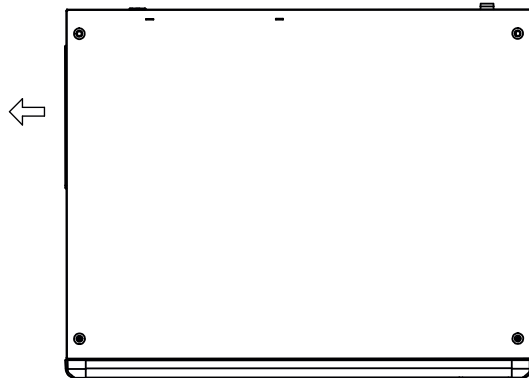
Masszeichnung Eiswürfelbereiter SVD 203 L / W



UNIT OF MEASUREMENT: mm (inch)

1. POWER CORD 220V 50Hz;
2. 3/4" GAS-WATER INLET ;
3. 13/16" OD - WATER OUTLET;
4. AIR INLET / AIR FILTER;
5. 3/4" GAS-WATER OUTLET, WATER COOLED UNIT ONLY;
6. 3/4" GAS-WATER INLE , WATER COOLED UNIT ONLY.

AIR FLOW



WATER COOLED

