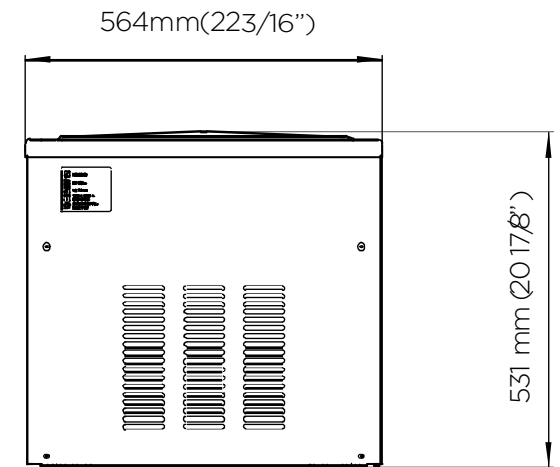
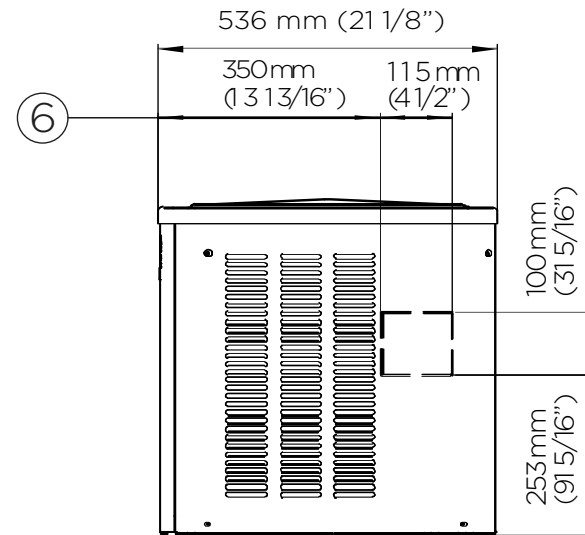
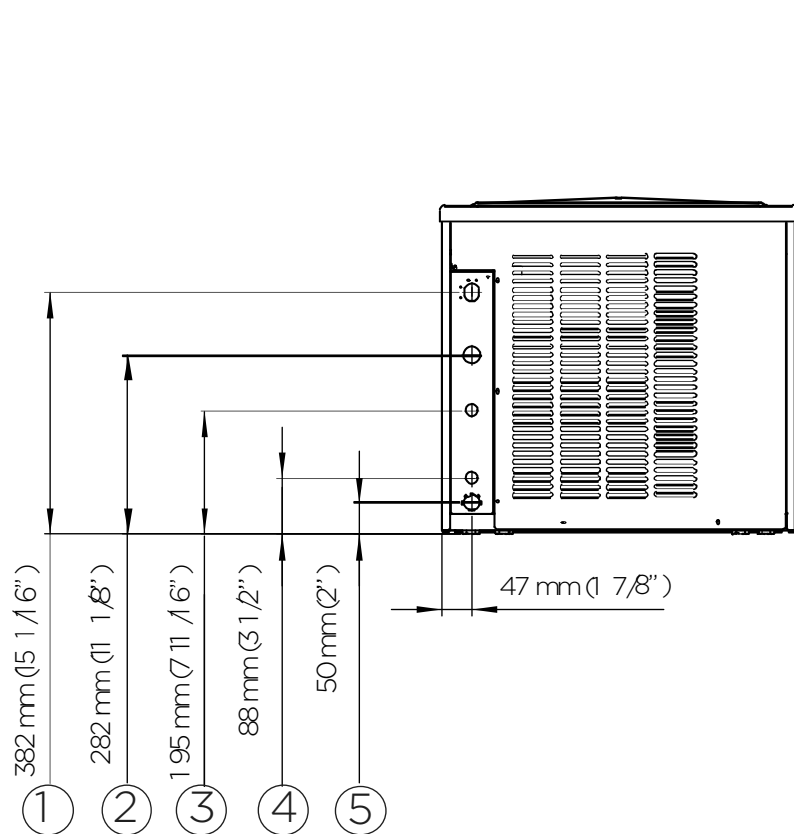


Masszeichnung

Flockeneisbereiter SPH 255



1. CORD SET
2. 3/4" GAS WATER INLET
3. 3/4" GAS WATER INLET WATER COOLED ONLY
4. 3/4" GAS WATER OUTLET WATER COOLED ONLY
5. Ø 21 mm WATER OUTLET
6. ICE EXIT RIGHT PANEL SIDE
7. MIN. FOR UTILITY CONNECTIONS
8. ICE EXIT BOTTOM SIDE