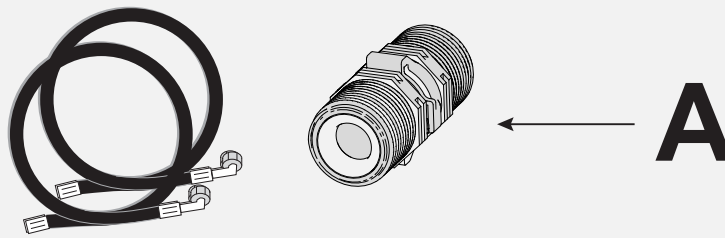
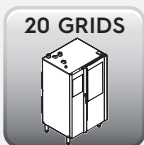
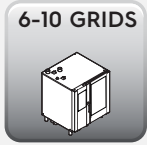


A - Included Components

1



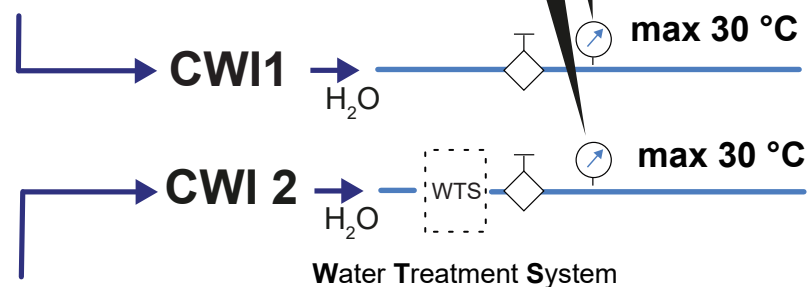
IMPORTANT: For compliance with UK Water Supply (Water Fittings) Regulations the installer technician must provide a WRAS approved double check valve for each water connection, or other device no less effective that provides back-flow protection of at least fluid category three.

B - H₂O Connections

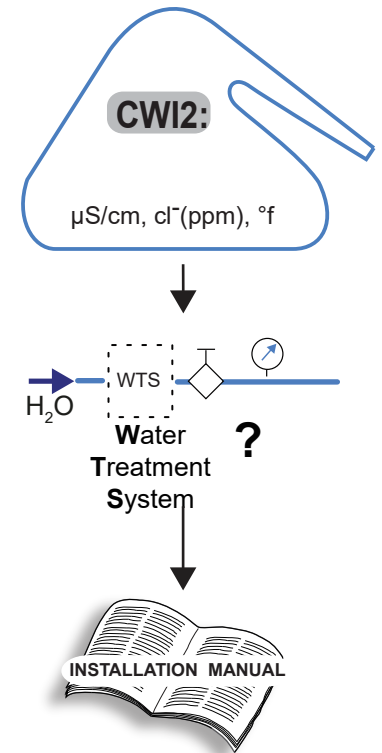
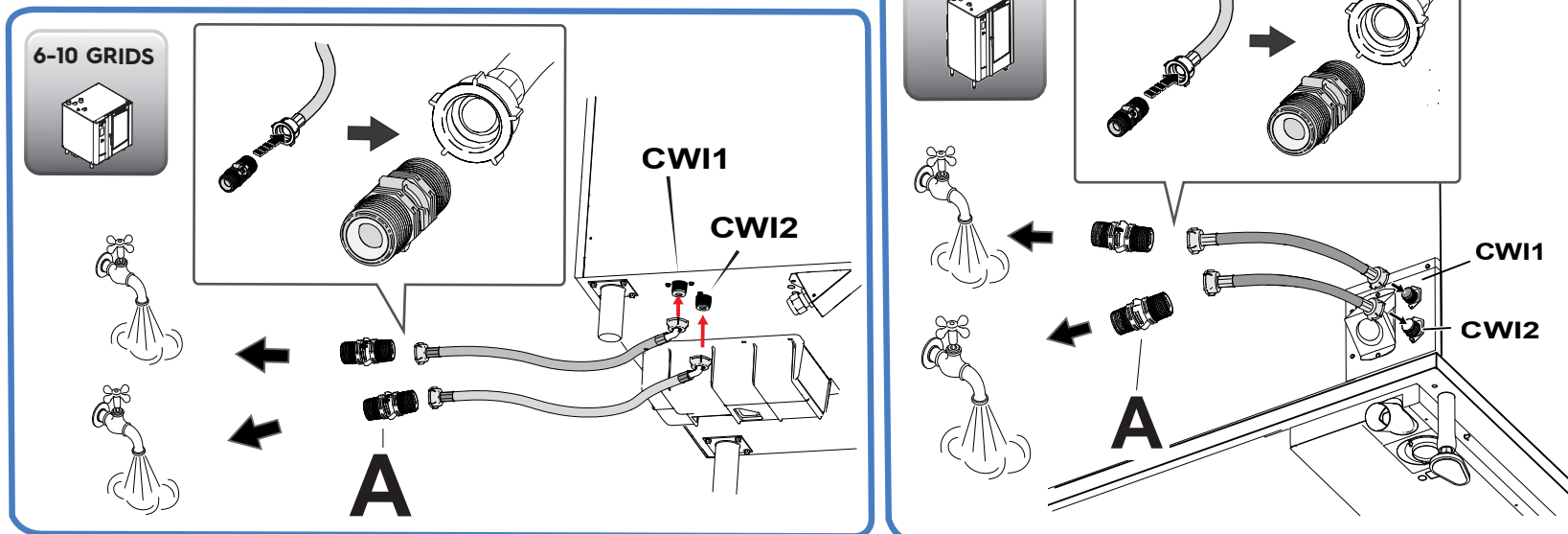
2

⚠️ PRESSURE
100 – 600 kPa
(1,0 – 6,0 bar / 14,5 – 87psi)

- min 1 l/min - max 10 l/min



- min 0,25 l/min - max 2,95 l/min for 6-10 GN w/boiler models
- min 0,25 l/min - max 5,75 l/min for 20 GN w/boiler models

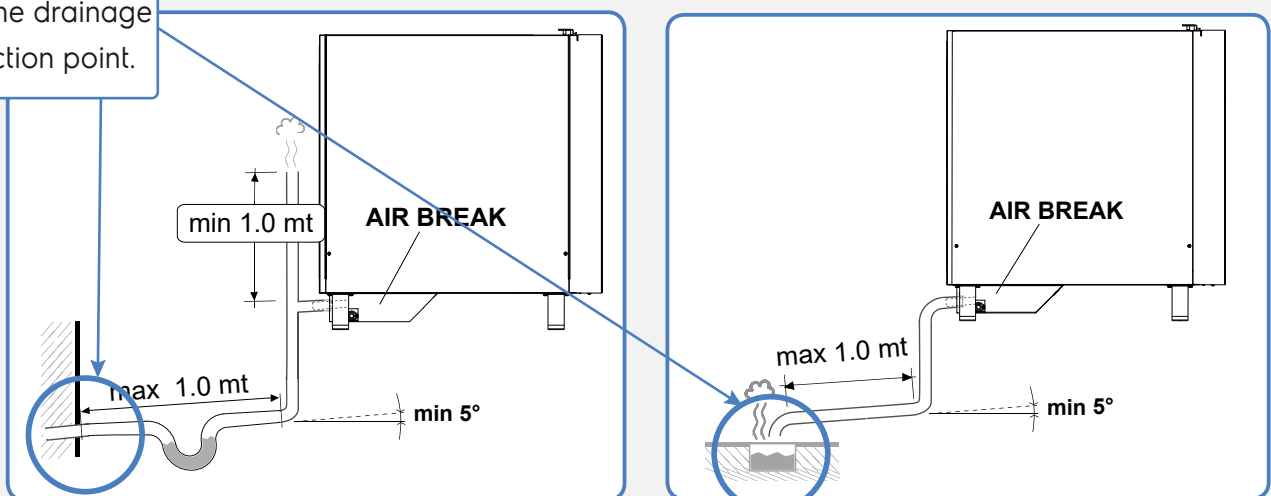
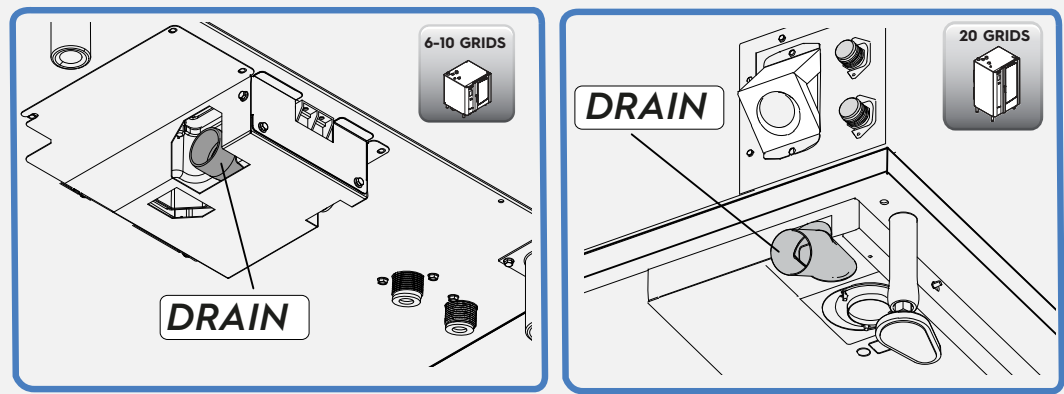


C - Drain Connection

3

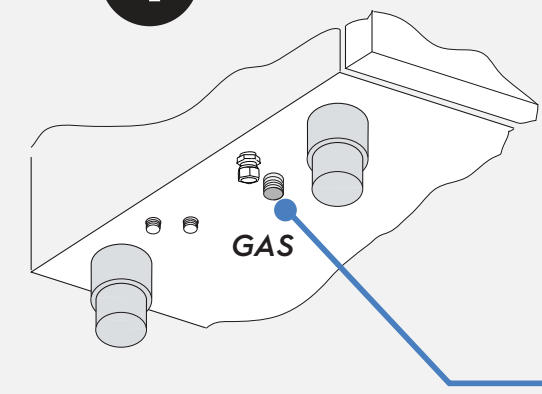
Drain Hose ø50mm smooth fitting

AUS only: The appliance shall be drained to a certified waste trap positioned at the drainage system connection point.



(GAS OVEN ONLY)

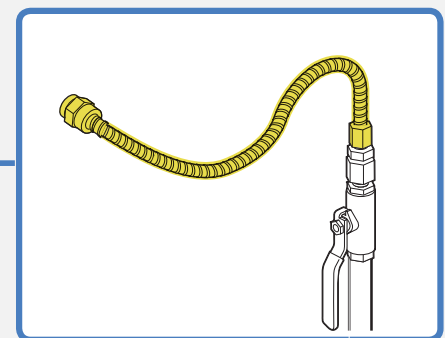
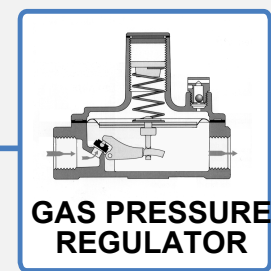
4



- ø1" 20 GRIDS 1/1
- ø1" 20 GRIDS 2 /1
- ø1" 10 GRIDS 2/1
- ø1/2" 6 GRIDS 1/1
- ø1/2" 16 GRIDS 2 /1
- ø1/2" 10 GRIDS 1/1

D - Gas Connections

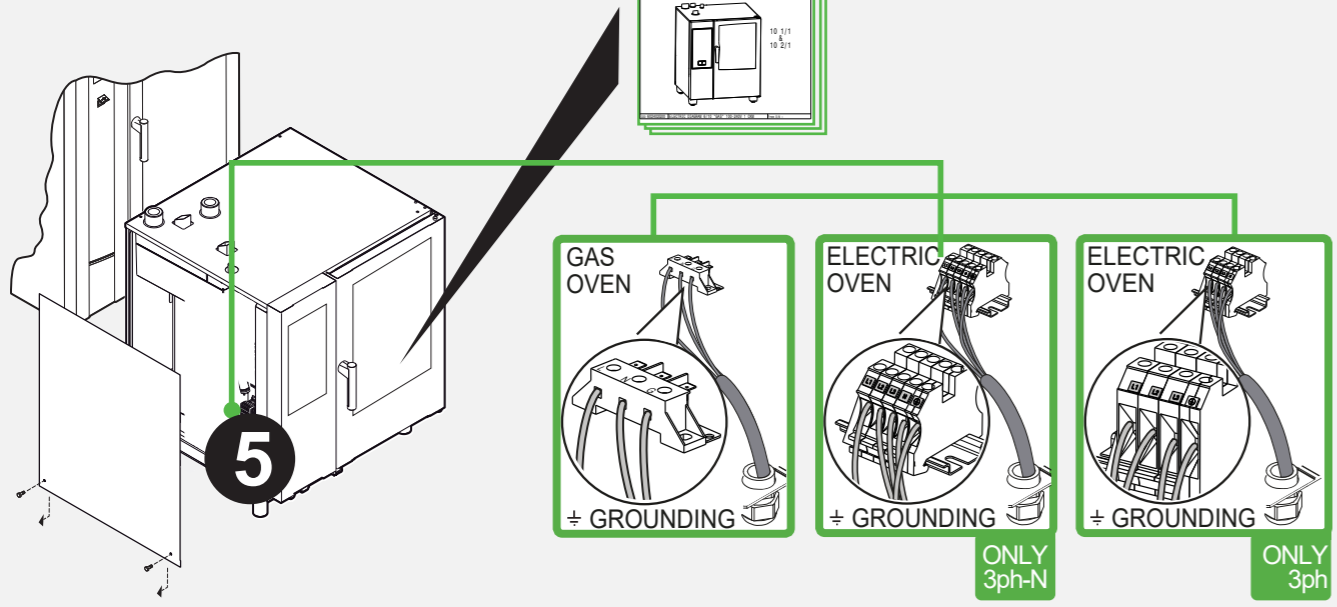
⚠️ GAS PRESSURE
INSTALLATION MANUAL



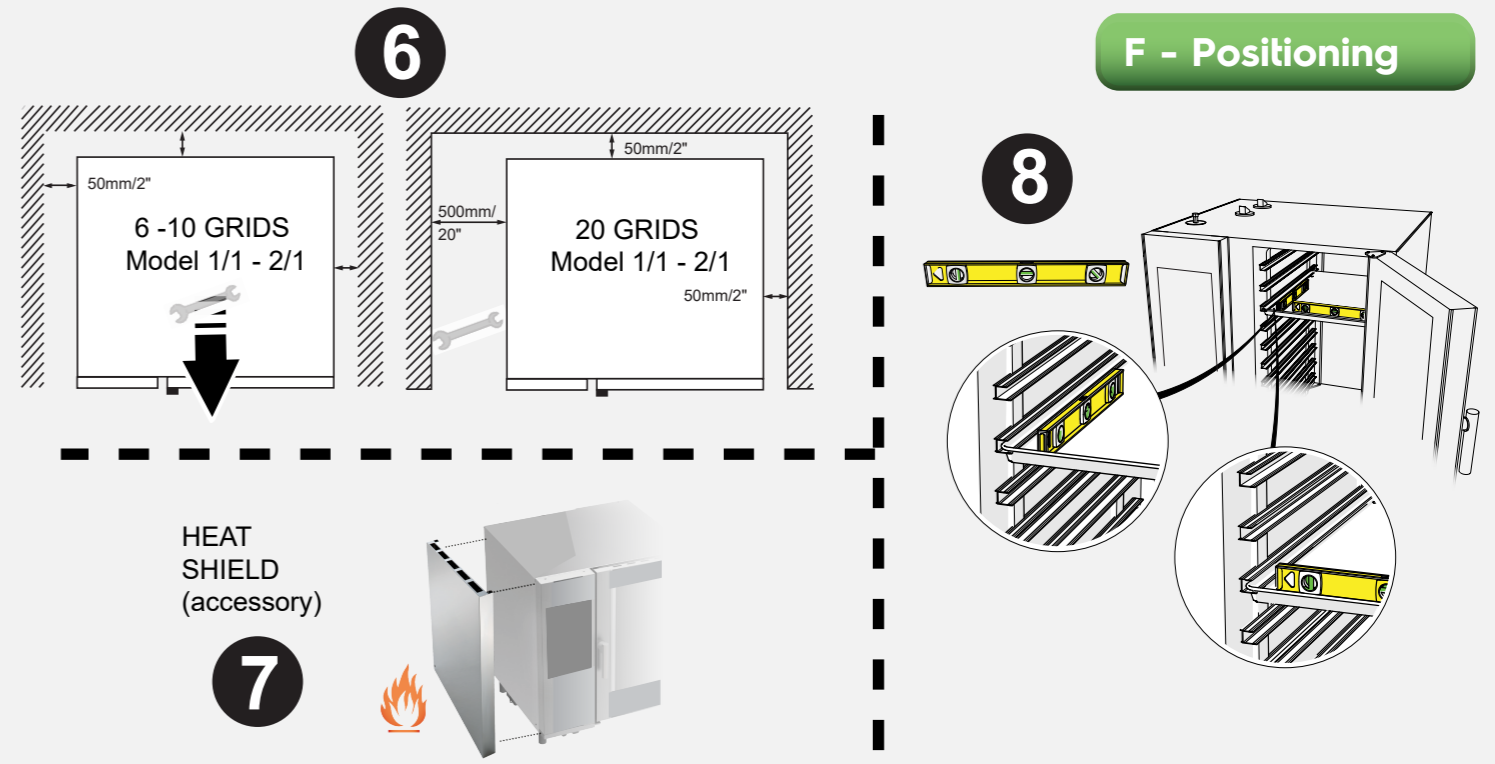
GAS INLET →



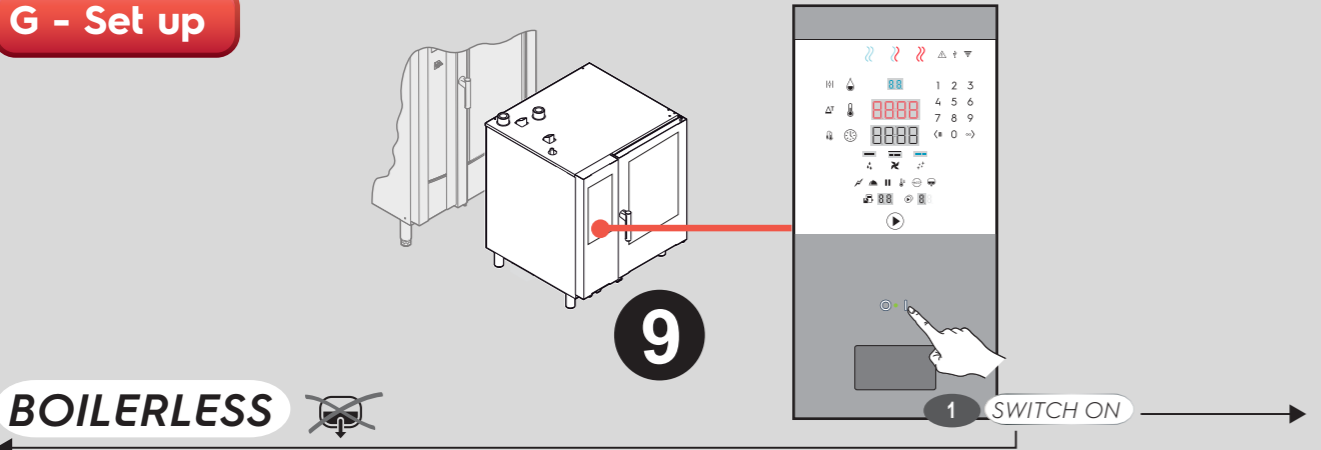
E - Electrical connections



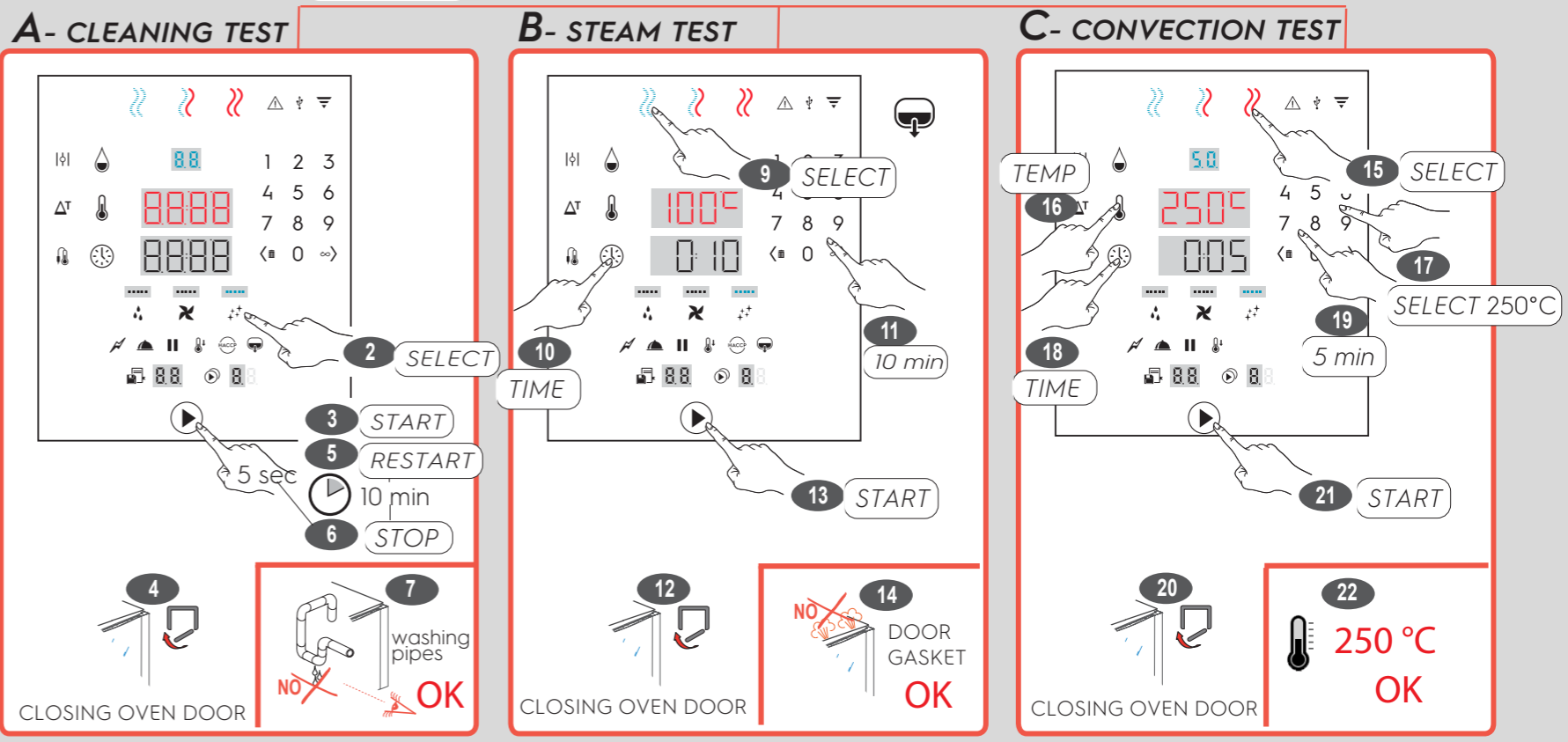
F - Positioning



G - Set up



BOILER



BOILERLESS

