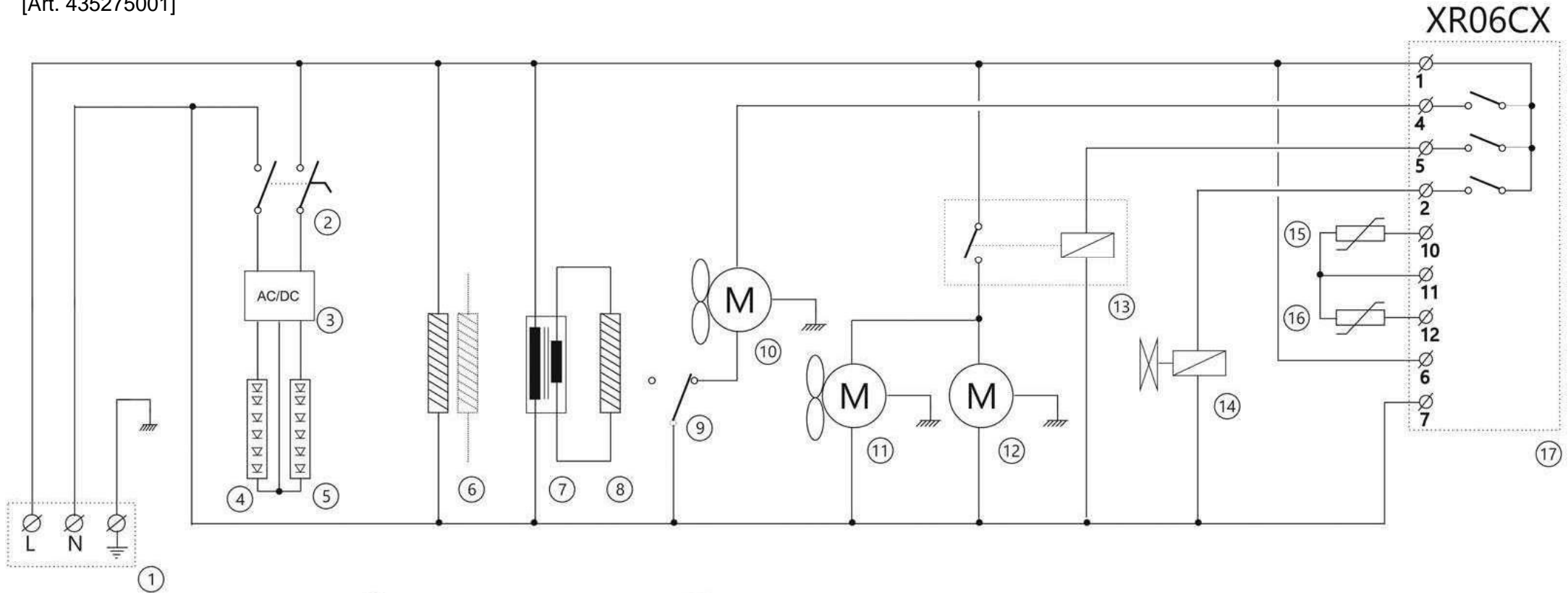


Schaltplan

Gewerbetiefkühlschrank TKU 1600 G-LED

[Art. 435275001]



- | | |
|-------------------------------|--------------------|
| ① Junction box | ⑩ Evaporator fan |
| ② Light switch | ⑪ Condenser fan |
| ③ LED Power supply | ⑫ Compressor |
| ④ Canopy LED | ⑬ Contactor |
| ⑤ Door LED | ⑭ Defrost valve |
| ⑥ Frame heater | ⑮ Evaporator probe |
| ⑦ Power supply for door glas | ⑯ Room probe |
| ⑧ Heated door glass (No part) | ⑰ Thermostat |
| ⑨ Door switch | |