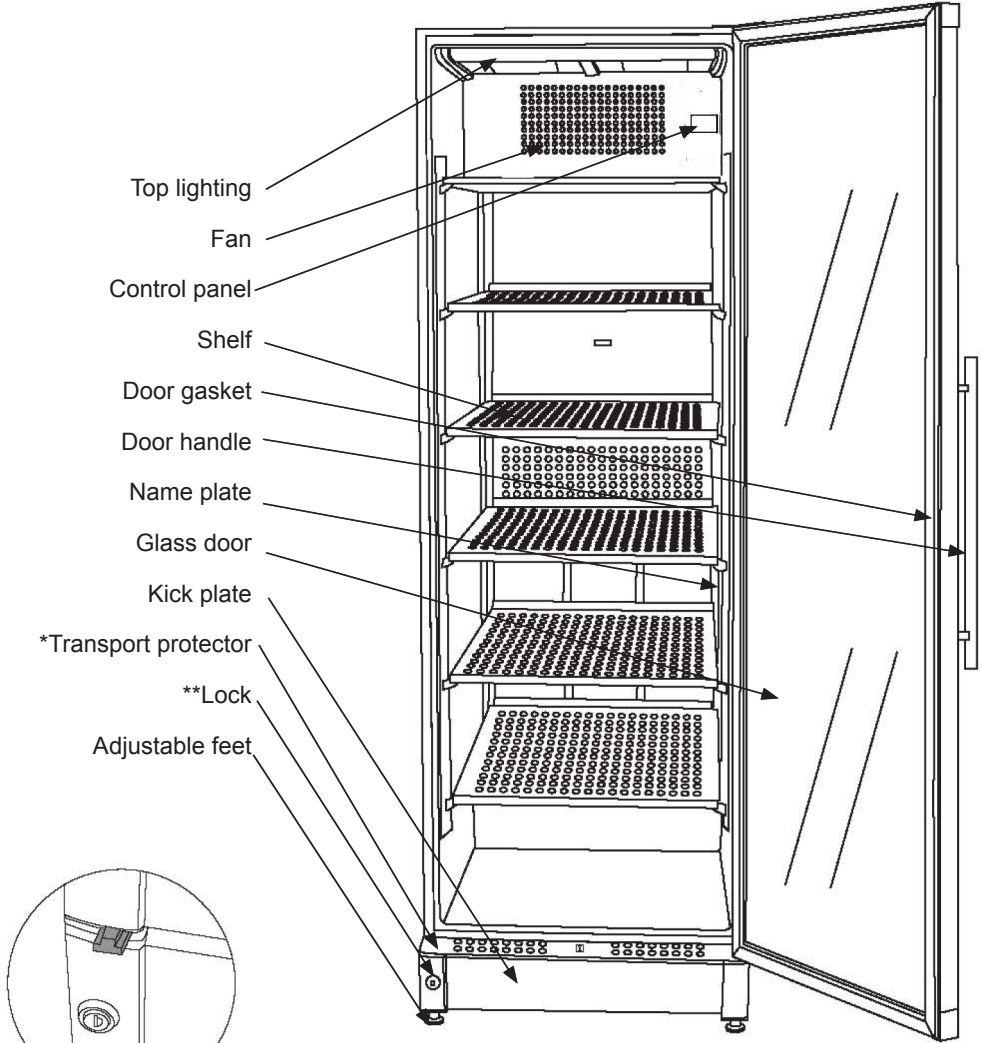


M 200 / 210 - FKG 883 / 884

GB Instructions for use.
DE: Bedienungsanleitung
DK Brugsanvisning.

Get to know your bottle cooler.



Top lighting

Fan

Control panel

Shelf

Door gasket

Door handle

Name plate

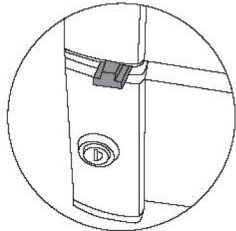
Glass door

Kick plate

*Transport protector

**Lock

Adjustable feet



*Transport protector

**Not all appliances have lock.

Warning.

In case this appliance contains hydrocarbon refrigerant please refer to guidelines listed below.

As the appliance contains a flammable refrigerant, it is essential to ensure that the refrigerant pipes are not damaged.

Standard EN378 specifies that the room in which you install your appliance must have a volume of 1m³ per 8 g of hydrocarbon refrigerant used in the appliances. This is to avoid the formation of flammable gas/air mixtures in the room where the appliance is located in the event of a leak in the refrigerant circuit. The quantity of the refrigerant used in your appliance is indicated on the rating plate.

WARNING: Keep ventilation openings in the appliance's cabinet or in the built-in structure clear of obstruction

WARNING: Do not use other **mechanical devices** or other means to accelerate the defrosting process than those recommended by the manufacturer

WARNING: Do not damage the refrigerant system

WARNING: Do not use **electrical appliances** inside the refrigerated storage compartment, unless they are of a type recommended by the manufacturer

WARNING: Do not expose the appliance to rain

WARNING: This appliance is not intended for use by young children or infirm persons unless they have been adequately supervised by

a responsible person to ensure that they can use the appliance safely. Young children should be supervised to ensure that they do not play with the appliance

- Always keep the keys in a separate place and out of reach of children
- Before servicing or cleaning the appliance, unplug the appliance from the mains or disconnect the electrical power supply
- If the supply cord is damaged, it must be replaced by the manufacturer, its service agent, or similarly qualified persons in order to avoid a hazard
- **Relevant for Australia:** Supply cord fitted with a plug complies with AS/NZS 3112.
- Frost formation on the interior evaporator wall and upper parts is a natural phenomenon. Therefore, the appliance should be defrosted during normal cleaning or maintenance
- Directions for replacing the illuminating lamps are to be included in the instruction
- Please note that changes to the appliance construction will cancel all warranty and product liability

CLASS 1 LED PRODUCT

Contents.

Get to now your bottle cooler.....	2
Warning	3
Before use.....	4
Technical data.....	4
Installation and start-up	5
Operation and function	8
Layout.....	9
Defrosting, cleaning and maintenance .	10
Fault finding.....	11
Warranty, sparepart and service.....	12
Disposal.....	13

Technical data.

This device complies with relevant EU directives including Low Voltage Directive 2006/95 EEC. and Electromagnetic Compatibility Directive 2004/108/EC

The rating plate provides various technical information as well as type and serial number.

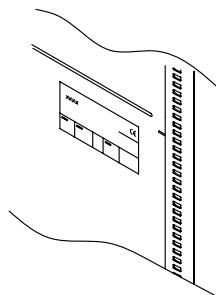


fig.1

Before use

Before operating your new appliance, please read the following instructions carefully as they contain important information on safety, installation, operation and maintenance. Keep the instructions for future reference.

On receipt, check to ensure that the appliance has not been damaged during transport. Transport damage should be reported to the local distributor before the appliance is put to use.

Remove the transport protector before the appliance is put to use. Hang it on one of the shelves as it can be used to readjust the door.

Remove the packaging. Clean the inside of the cabinet using warm water with a mild detergent. Rinse with clean water and dry thoroughly (see cleaning instructions). Use a soft cloth.

If during transport the appliance has been laid down, or if it has been stored in cold surroundings (colder than +5°C), it must be allowed to stabilise in an upright position for at least an hour before being switched on. Note: If the appliance is to be laid down, the door must face upwards and the appliance must be enclosed in the original packaging.

Installation and start-up.

Placement

For safety and operational reasons, the appliance shall not be exposed to rain.

The appliance should be placed on a level surface in a dry, well ventilated room (max. 70% relative air humidity). Never place the appliance close to sources of heat and avoid placing it in direct sunlight.

The surface on which the appliance is to be placed must be level. Do not use a frame or similar.

The appliance can be installed as a free-standing unit against a wall or side-by-side with other appliances (see fig. 5 on page 6)

Room temperature

The climate class is stated on the nameplate (see fig. 1 on page 4). This specifies the optimum room temperature.

Climate class	Optimum room temperature
SN	+10 °C to +32 °C
N/ST	+16 °C to +38 °C
T	+18 °C to +43 °C

Note that the appliance operates best at room temperatures from 16°C to 38°C.

Ventilation

Keep ventilation openings, in the appliance enclosure or in the built-in structure, clear of obstruction. The figures below illustrate the clearance necessary to achieve the required air circulation.

(Minimum 150 mm above) fig 2

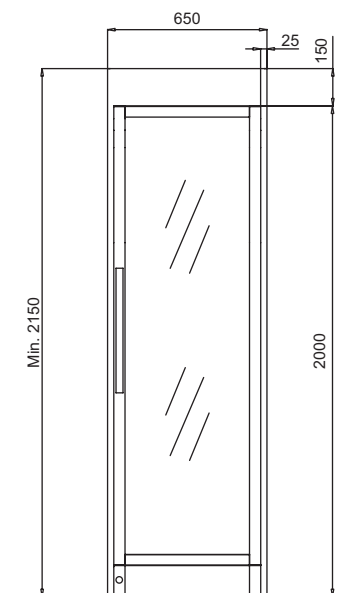


fig. 2

Installation of ventilationguard.

(Fig. 3)

Close the two ventilationguards placed on the rear of the appliance, to ensure sufficient air circulation

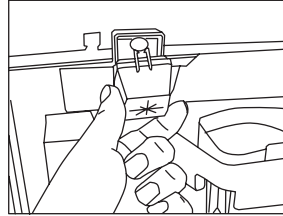


fig. 3

Only on some appliances:

(Fig. 4)

Mount the 2 enclosed ventilationguards on the rear side of the appliance. Their purpose is to ensure sufficient air circulation.

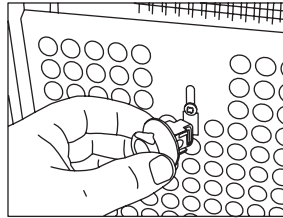


fig. 4

Side by side

In side-by-side arrangement, there must be at least 25 mm between and at the sides of the cabinets, so the doors can be opened freely

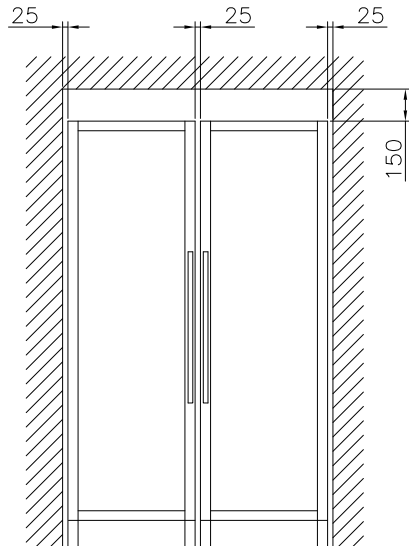


fig.5

Levelling the appliance

It is important that the appliance be absolutely level. It can be levelled in the following way:

1. Level the appliance sideways by screwing the adjustable feet up or down using the accompanying spanner.
2. Check that the appliance is absolutely level.

If the appliance is to be placed on a soft surface, e.g. floorboards or a carpet, it is best to recheck whether the appliance is still level after a period of time as the underlying surface may give under the weight of the appliance.

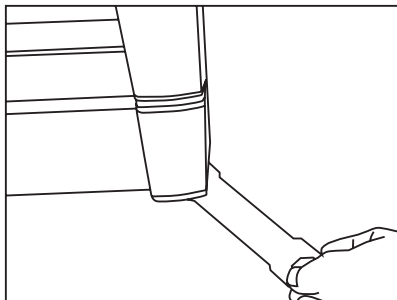


fig. 6

The height of the door can be adjusted using the transport protector. Always use the protector if the appliance is to be moved.

Keep always the keys in separate place and out of reach of children.

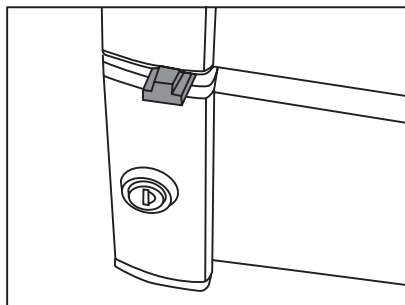


fig. 7

Operation and function.

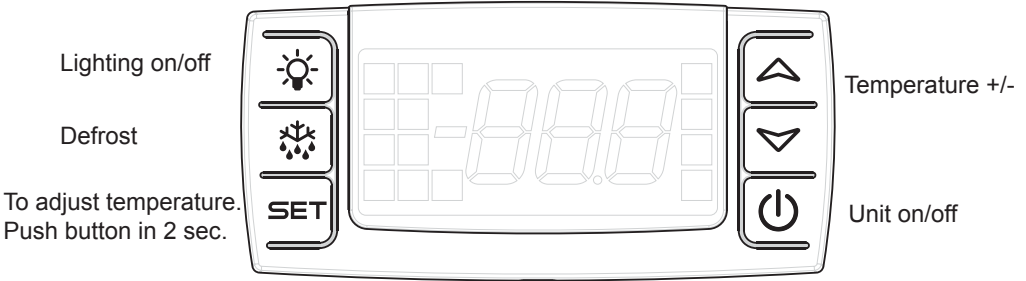


fig 8

Electronic controls

The electronic controls ensure that the set temperature is maintained.

Following any power failure, the temperature settings are automatically recalled.

Manual defrosting

If there is a need for manual defrosting, push the Defrost button for more than 2 seconds and a manual defrost will start.

After 30 min. the electronic control will return to normal mode.

Temperature display

The display shows the actual temperature in the cabinet, and indicates that power is connected.

Temperature setting

Push the Set button on the left side for 2 seconds, afterwards you can change the temperature +/- with the buttons on the right side.

Beware

Pushing the Unit On/Off button stops the compressor and the light is switched off. Pushing the Unit On/Off button re-activates the compressor, but the light remains turned off. The light is switched on by pressing the Light On/Off button.

Interior fitting.

Shelves

The shelves can be repositioned. To remove the shelves the door must be opened at least 90°. To remove a shelf, remove the shelfguards, lift the shelf upwards and pull it outwards. The shelf can then be repositioned as desired.

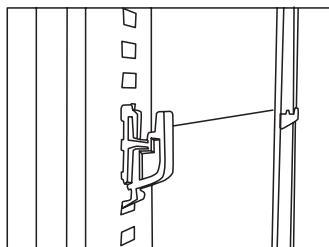


fig. 9A

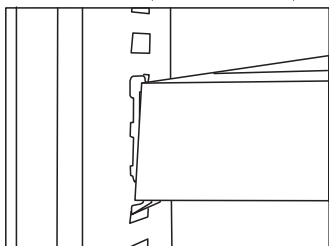


fig. 9B

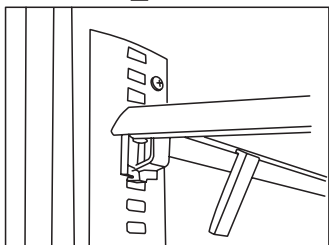


fig. 9C

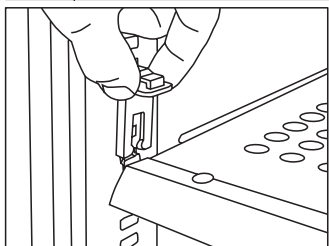
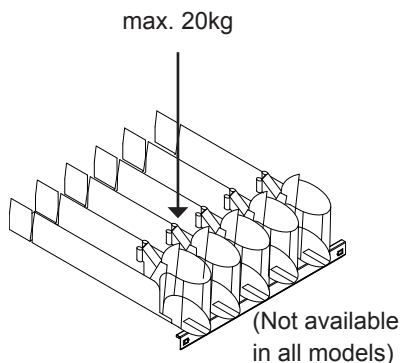
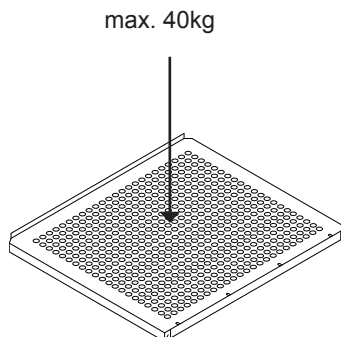


fig. 9d

1. Remove shelf brackets from shelf rails.
2. Replace shelf brackets in desired position (fig. 9A).
3. Replace shelf. Check that shelf brackets have been positioned at equal height (fig. 9B).
4. Shelf brackets must be positioned at equal height to ensure the shelf is horizontal (fig. 9C).
5. Place the shelfguards (fig. 9D).



Defrosting, cleaning and maintenance.

Automatic defrosting.

The appliance is defrosted automatically. Defrost water runs through a pipe and is collected in a tray above the compressor where the heat generated by the compressor causes it to evaporate.

Cleaning.

Switch off the appliance by pressing the on/off button before cleaning it inside.

The cabinet is best cleaned using warm water (max. 65°C) with a little mild detergent. Never use cleaning agents that scour. Use a soft cloth. Rinse with clean water and dry thoroughly. It is important to prevent water from entering the control panel.

The defrost water channel, in which condensation from the evaporator runs, is located on the rear wall of the cabinet and must be kept clean. Add a few drops of disinfectant, e.g. Rodalon, to the defrost water drain a couple of times a year, and clean the drain using a pipe cleaner or similar. Never use sharp or pointed implements.

The sealing strip around the door must be cleaned regularly to prevent discolouration and prolong service life. Use clean water. After cleaning the sealing strip, check that it continues to provide a tight seal.

Dust collecting on the compressor and in the compressor compartment is best removed using a vacuum cleaner.

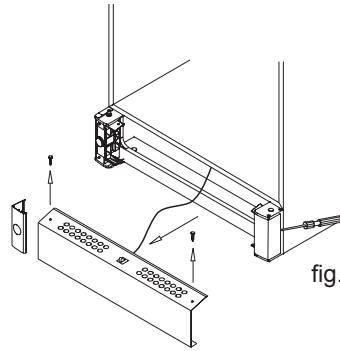


fig. 10

M200 / FKG883:

Cleaning the blockcondenser see (fig. 10), must be done 1 - 3 times a year.

1. Remove the key from the lock cylinder and carefully remove the column covers on both sides using a straight-headed screwdriver.
2. Remove the kick panel from beneath the door.

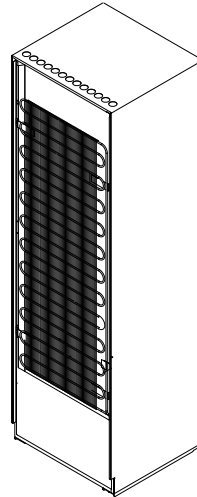


fig. 11

M210 / FKG884:

Cleaning the rear condenser must be done once a year (fig. 11)

Fault finding.

Fault	Possible cause	Remedy
The control lamp is not lit.	The appliance is switched off. Power failure; the fuse is blown; the appliance is not plugged in correctly.	Press the on/off switch. Check that power is connected. Reset the fuse.
Water collects on the shelves.	The defrost water drain is blocked.	Clean the defrost water channel and the drain hole on the rear wall of the cabinet.
Vibration or bothersome noise.	The appliance is not level. The appliance is resting against other elements.	Level the appliance using a spirit level. Move the appliance away from other elements or appliances it is in contact with.
Compressor runs continuously.	Temperature setting too low. High room temperature.	Raise the temperature setting. Ensure adequate ventilation.
Temperature in cabinet too high.	Temperature setting too high. The cabinet has recently been filled with unchilled bottles.	Lower the temperature setting. Distribute items within the cabinet to improve air circulation.
Ice formation on evaporator.	Door is open.	Close the door

Warranty, spare parts and service.

Warranty disclaimer

Faults and damage caused directly or indirectly by incorrect operation, misuse, insufficient maintenance, incorrect building, installation or mains connection. Fire, accident, lightning, voltage variation or other electrical interference, including defective fuses or faults in mains installations.

Repairs performed by others than approved service centres and any other faults and damage that the manufacturer can substantiate are caused by reasons other than manufacturing or material faults are not covered by the warranty.

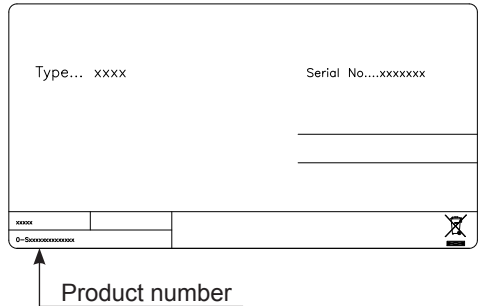
Please note that changes to the construction of the appliance or changes to the component equipment of the appliance will invalidate warranty and product liability, and the appliance cannot be used lawfully. The approval stated on rating plate will also be invalidated.

Transport damage discovered by the buyer is primarily a matter to be settled between the buyer and the distributor, i.e. the distributor must ensure that such complaints are resolved to the buyer's satisfaction.

Before calling for technical assistance, please check whether you are able to rectify the fault yourself. If your request for assistance is unwarranted, e.g. if the appliance has failed as a result of a blown fuse or incorrect operation, you will be charged the costs incurred by your call for technical assistance.

Spare parts

When ordering spare parts, please state the type, serial and product numbers of your appliance. This information is given on the rating plate. The rating plate contains various technical information, including product-type and serial numbers.



Disposal

Information for Users on Collection and Disposal of Old Equipment and used Batteries



These symbols on the products, packaging, and/or accompanying documents mean that used electrical and electronic products and batteries should not be mixed with general household waste. For proper treatment, recovery and recycling of old products and used batteries, please take them to applicable collection points, in accordance with your national legislation and the Directives 2002/96/EC and 2006/66/EC.

By disposing of these products and batteries correctly, you will help to save valuable resources and prevent any potential negative effects on human health and the environment which could otherwise arise from inappropriate waste handling.

For more information about collection and recycling of old products and batteries, please contact your local municipality, your waste disposal service or the point of sale where you purchased the items.

Penalties may be applicable for incorrect disposal of this waste, in accordance with national legislation.



For business users in the European Union.

If you wish to discard electrical and electronic equipment, please contact your dealer or supplier for further information.

[Information on Disposal in other Countries outside the European Union]

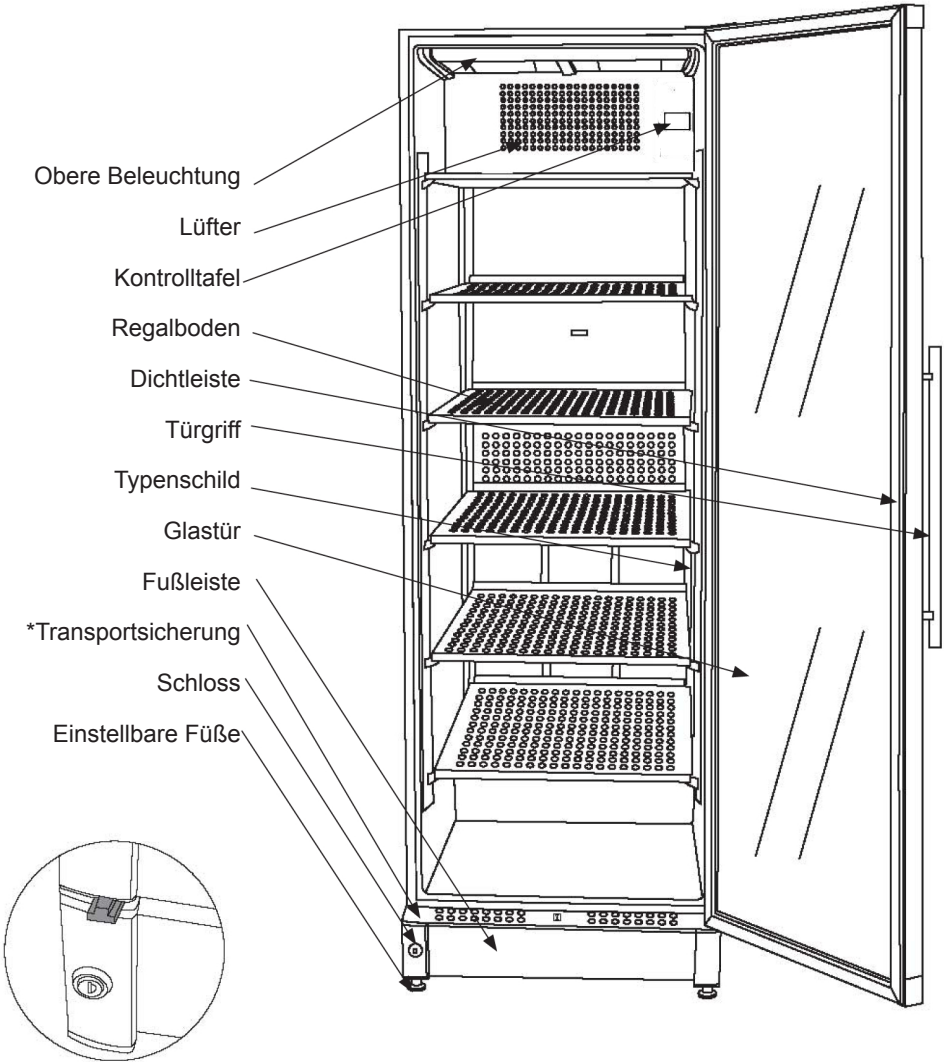
These symbols are only valid in the European Union. If you wish to discard this product, please contact your local authorities or dealer and ask for the correct method of disposal.

Note for the battery symbol (bottom two symbol examples):



This symbol might be used in combination with a chemical symbol. In this case it complies with the requirement set by the Directive for the chemical involved.

Beginnen Sie ihre Flaschenkühler zu kennen



*Transportsicherung

Warnung.

Falls dieses Gerät Kohlenwasserstoff-Kältemittel enthält, sehen Sie bitte die untenstehenden Richtlinien.

Da ein brennbares Gas als Kältemittel in diesem Gerät dient, ist es wichtig sicherzustellen, dass kein Teil des Kühlkreislaufs oder der Röhren beschädigt ist.

Der Standard EN378 spezifiziert, dass der Raum, in dem das Gerät installiert wird, ein Volumen von 1m³ pro 8 g Kohlenwasserstoff-Kältemittel, das im Gerät verwendet ist, haben soll. Dies ist zu beachten, um die Bildung von leicht entzündlichen Gasgemischen in dem Raum, wo das Gerät installiert ist, zu vermeiden, falls eine Undichtigkeit des Kühlkreislaufs entsteht. Die Menge von Kältemittel im Gerät ist auf dem Typenschild angegeben.

WARNUNG: Decken Sie die Lüftungsöffnungen im Kabinett am Gerätes oder am Einbaumodul nicht ab.

WARNUNG: Verwenden Sie keine anderen mechanischen Geräte oder Hilfsmittel um den Entfrostsprozess zu beschleunigen, als die Geräte, die vom Hersteller empfohlen sind.

WARNUNG: Beschädigen Sie nicht den Kühlkreislauf.

WARNUNG: Verwenden Sie keine elektrischen Geräte im Gerät, es sei denn, dass die Geräte vom Hersteller empfohlen sind.

WARNUNG: Das Gerät nicht dem Regen aussetzen.

WARNUNG: Das Gerät ist nicht für den Gebrauch durch kleine Kinder bestimmt, es sei denn, dass es ausreichend von einer verantwortlichen Person überprüft ist, dass sie das Gerät vertretbar verwenden können. Kleine Kinder müssen beaufsichtigt werden, um sicherzustellen, dass sie nicht mit dem Gerät spielen. Der Schlüssel ist an einer separaten Stelle und unzugänglich für Kinder aufzubewahren.

- Vor Reparatur oder Reinigung des Gerätes den Netzstecker von der Steckdose ziehen.
- Wenn die Anschlussleitung beschädigt ist, muss sie nur vom Hersteller, dem Serviceagent des Herstellers oder einem anderen Fachmann ausgewechselt werden, um Gefahr zu vermeiden.
- Bildung von Reif auf der inneren Verdampferplatte und den obersten Teile ist normal. In Verbindung mit Reinigung oder Wartung muss das Gerät deshalb entfrosten werden.
- Beachten Sie bitte, dass Änderungen der Konstruktion dieses Gerätes zur Folge haben, dass die Garantie und Produkthaftung erlöschen.

CLASS 1 LED PRODUCT

Inhaltsverzeichnis.

Beginnen Sie ihre Kühler zu kennen 2
 Warnung 3
 Technische Daten 4
 Vor dem Gebrauch 4
 Inbetriebnahme und Installation. 5
 Bedienung und Funktion..... 8
 Ausstattung und Zubehör. 9
 Abtauen, Reinigung und Wartung. 10
 Fehlersuche..... 11
 Reklamation und Service..... 12
 Entsorgung 13

Technische Daten.

Dieses Gerät entspricht den einschlägigen EU-Richtlinien einschließlich:

Niederspannungsrichtlinie 2006/95/EEC
 Elektromagnetische Kompatibilitätsrichtlinie 2004/108/EC

Das Typenschild, das sich im Gerät befindet, enthält verschiedene technische Angaben sowie Typen- und Seriennummer.

Vor dem Gebrauch.

Vor dem Gebrauch Ihres neuen Geräts sollten Sie diese Bedienungsanleitung gründlich lesen. Sie enthält wichtige Informationen zu Sicherheit, Installation, Betrieb und Wartung. Bewahren Sie die Bedienungsanleitung auf. Sie könnten sie zu einem späteren Zeitpunkt evtl. benötigen.

Kontrollieren Sie das Gerät sofort bei Lieferung auf eventuelle Beschädigungen. Transportschäden sind dem Händler zu melden, bevor das Gerät in Gebrauch genommen wird.

Die Transportsicherung vor der Ingebrauchnahme entfernen. Die Sicherung an einen der Regalböden hängen, da sie wieder zum Einstellen der Tür verwendet werden kann.

Verpackung entfernen. Das Schrankinnere mit lauwarmem Wasser und etwas mildem Spülmittel reinigen. Mit klarem Wasser nachwischen und gründlich trocknen (siehe "Reinigung"). Verwenden Sie ein weiches Tuch.

Falls das Gerät liegend transportiert wurde oder einer Temperatur von weniger als +5 °C ausgesetzt war, muss es vor dem Einschalten mindestens eine Stunde lang bei höherer Außentemperatur aufrecht stehen. Bitte beachten: Der Schrank darf nur auf der Rückwand abgelegt werden - und nur in der Originalverpackung.

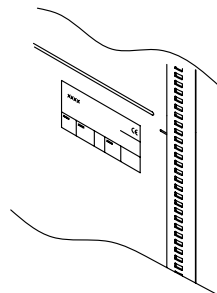


Abb.1

Inbetriebnahme und Installation.

Aufstellort

Aus Sicherheits- und betriebstechnischen Gründen darf das Gerät nicht im Freien aufgestellt werden.

Stellen Sie den Schrank auf einen ebenen Untergrund in einem trockenen, gut belüfteten Raum (max. 75 % relative Luftfeuchtigkeit).

Der Schrank sollte nicht direkter Sonneneinstrahlung oder Wärme von einer anderen Wärmequelle ausgesetzt werden.

Der Schrank kann frei an einer Wand oder neben anderen Schränken stehen (Abb. 5, siehe Seite 6)

Die Unterlage zum Aufstellen des Schanks muss eben sein. Verwenden Sie keinen Rahmen o.ä.

Raumtemperatur

Die Klimaklasse finden Sie auf dem Typenschild (ab1 siehe 4). Sie gibt an, innerhalb welcher Raumtemperaturbereiche der Kühlschrank optimal arbeitet.

Klimaklasse	Zulässige Raumtemperatur
SN	+10 °C bis +32 °C
N/ST	+16 °C bis +38 °C
T	+18 °C bis +43 °C

Bitte beachten: Die optimale Umgebungstemperatur für den Betrieb des Schanks liegt zwischen 16° C und 38° C.

Belüftung

Der Schrank muss ausreichend belüftet sein, und die Luftzirkulation über und unter ihm sowie seitlich vom Schrank darf nicht behindert sein. Die folgenden Abbildung zeigen, welche Luftspalten für die notwendige Zirkulation um den Schrank herum erforderlich sind (mindestens 150 mm nach oben) Abb 2

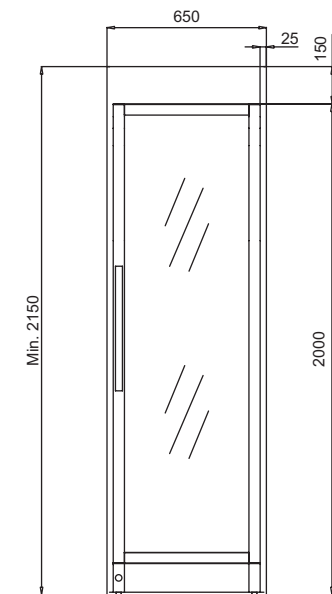


Abb. 2

Luftzirkulation

Schließen Sie die beiden Abstandshalter an der Schrankrückseite. Sie haben die Funktion, die erforderliche Luftzirkulation sicherzustellen (siehe Abb. 3).

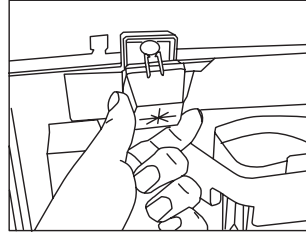


Abb. 3

Nur auf einigen Geräten eingesetzt:

Montieren Sie die beiliegende Abstandshalter an der Schrankrückseite. Sie haben die Funktion, die erforderliche Luftzirkulation sicherzustellen (siehe Abb. 4).

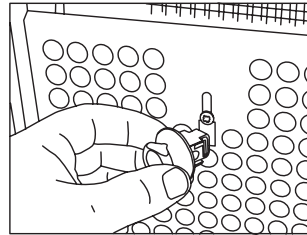


Abb. 4

Nebeneinander

Im „Side-by-Side“ Anordnung, muss es mindestens 25 mm zwischen und an den Seiten der Schränke, so dass die Türen können frei geöffnet werden

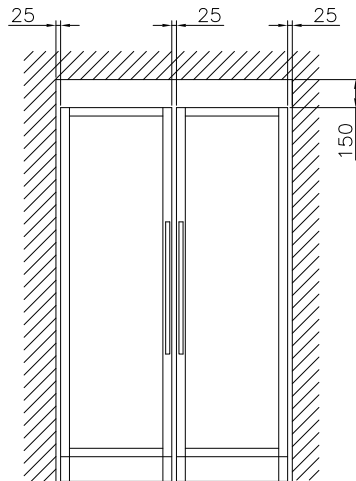


Abb. 5

Einstellen des Schrankes

Der Schrank muss waagrecht stehen. Der Schrank wird folgendermaßen eingestellt:

1. Den Schrank in seitlicher Richtung durch Drehen der einstellbaren FüÙe senkrecht stellen. Dazu den mitgelieferten Schraubenschlüssel verwenden.
2. Überprüfen, ob der Schrank gerade steht.

Steht der Schrank auf einer nachgiebigen Unterlage, z.B. einem Holzfußboden oder einem Teppich, sollte nach einiger Zeit erneut überprüft werden, ob der Schrank noch immer gerade steht, da die Unterlage unter dem Gewicht des Schrankes nachgeben kann.

Die Transportsicherung wird bei der Höheneinstellung der Tür und beim Versetzen des Schrankes verwendet.

Der Schlüssel ist an einer separaten Stelle und unzugänglich für Kinder aufzubewahren.

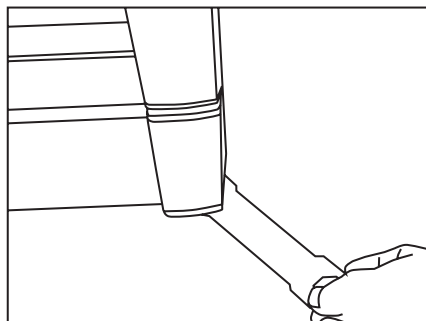


Abb. 6

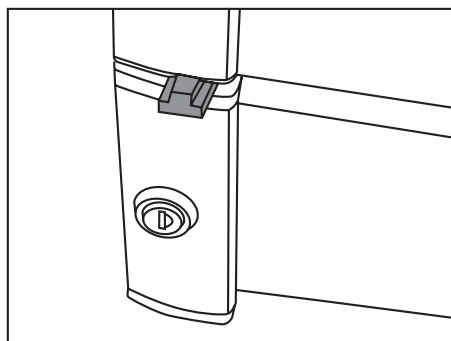


Abb. 7

Bedienung und Funktion.

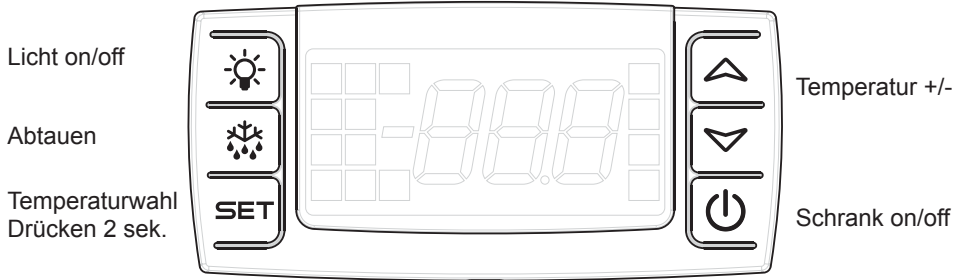


fig. 8

Elektronische Kontrolle.

Die elektronische Steuerung sorgt dafür, dass die eingestellten Temperaturwerte oben und unten im Gerät eingehalten werden.

Die gewählten Temperaturwerte sind gespeichert und nach einem eventuellem Stromausfall wieder verfügbar.

Temperaturanzeige

Das Display zeigt die aktuelle Temperatur und zeigt an ob das Gerät an die Spannungsversorgung angeschlossen ist.

Temperatureinstellung

Drücken Sie für 2 Sekunden die SET-Taste an der linken Seite. Danach kann die Temperatur mit Hilfe der Pfeiltasten an der rechten Seite eingestellt werden.

Light

Drücken Sie den Schrank-ON/OFF- Knopf stoppt der Kompressor und das Licht geht aus. Drücken Sie erneut den ON/OFF-Knopf wird der Kompressor wieder gestartet, aber das Licht bleibt aus. Durch Drücken des Licht-ON/OFF-Knopfes können Sie das Licht wieder einschalten.

Innenausbau

Einlegeböden

Die Einlegeböden sind versetzbar. Die Einlegeböden können versetzt werden, wenn die Tür weiter als 90 Grad geöffnet ist. Zum Herausnehmen die Böden anheben und nach vorn ziehen. Der so ausgebaute Boden kann nun entfernt oder in einer anderen Höhe wieder eingesetzt werden.

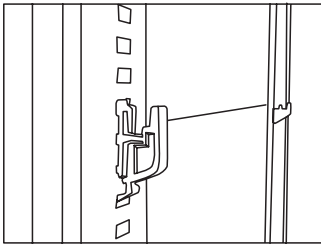


Abb. 9A

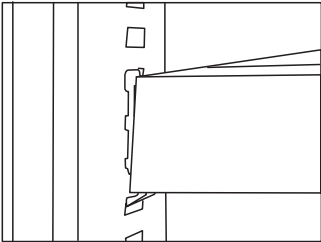


Abb. 9B

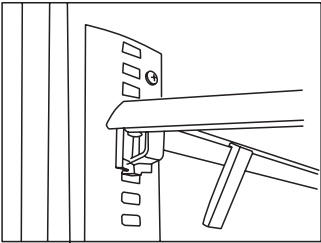


Abb. 9C

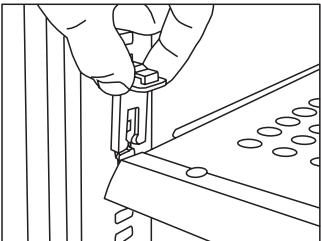
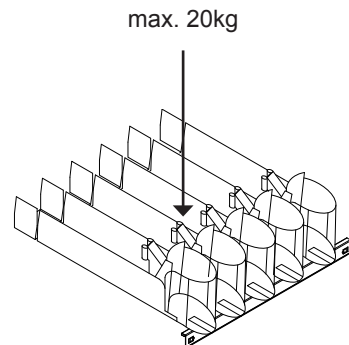
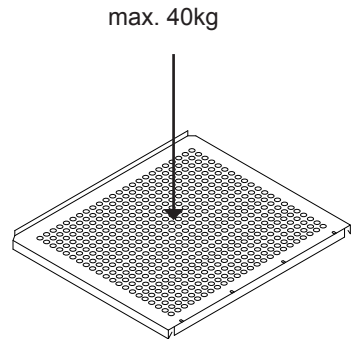


Abb. 9D

1. Den Tragarm aus der Schiene nehmen.
2. Den Tragarm in der gewünschten Höhe anbringen (Abb. 9A).
3. Boden wieder in den Schrank einsetzen. Sicherstellen, dass die Tragarme in gleicher Höhe angebracht sind (Abb. 9B).
4. Die Tragarme müssen in derselben Höhe angebracht sein, damit der Einlegeboden waagrecht liegt (Abb. 9C).
5. Regalbodensicherungen montieren (Abb. 9D).



(Nicht verfügbar bei allen Modellen)

Abtauen, Reinigung und Wartung.

Automatisches Abtauen

Das Gerät wird automatisch abgetaut, das Tauwasser läuft durch ein Rohr in die Tauwasserschale, die sich auf dem Kompressor befindet. Das Wasser verdampft durch die Betriebswärme des Kompressors.

Reinigung

Zum Reinigen des Schrankinnern den Schrank am Ein-/Ausschalter ausschalten.

Eine Mischung aus warmem Wasser und Spülmittel (max. 65 °C) ist dazu am besten geeignet. Verwenden Sie keine Reinigungsmittel, die Kratzer verursachen können. Verwenden Sie ein weiches Tuch. Mit klarem Wasser nachwischen und gut abtrocknen. Es darf kein Wasser in die Bedienungselemente gelangen.

Die Tauwasserrinne, durch die das Kondenswasser vom Verdampfer herab läuft, befindet sich innen an der Schrankrückwand. Sie ist stets sauber zu halten. Tropfen Sie mehrmals jährlich ein Desinfektionsmittel in den Tauwasserabfluss. Mit einem Pfeifenreiniger o.ä. reinigen. Niemals scharfkantige oder spitze Gegenstände verwenden.

Die Türdichtleiste muss regelmäßig gereinigt werden, um Verfärbungen zu vermeiden und lange Haltbarkeit zu gewährleisten. Klares Wasser verwenden. Nach der Reinigung der Türdichtleiste prüfen, ob sie dicht schließt.

Am Kompressor und im Kompressorraum den Staub am besten mit einem Staubsauger entfernen.

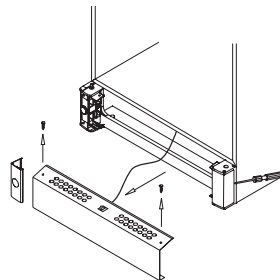


Abb. 10

M200 / FKG883: Nach Entfernen der Fußleiste kann auch unter dem Gerät der Schmutz entfernt werden. (Abb. 12)

1. Den Schlüssel aus dem Zylinder nehmen und vorsichtig die Säulenabdeckung an beiden Seiten abbauen. Schraubendreher mit gewöhnlicher (flacher) Klinge verwenden.
2. Fußleiste unter der Tür entfernen.

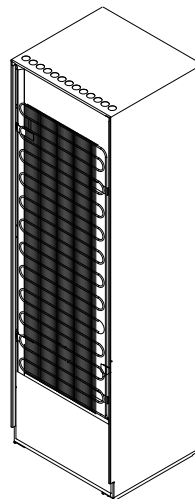


fig. 11

M210 / FKG884: Reinigung der hinteren Kühlers muss getan werden, einmal im Jahr (fig. 13)

Fehlersuche.

Fehler	Mögliche Ursache	Abhilfe
Der Schrank reagiert nicht.	Der Schrank ist abgeschaltet Stromausfall; Sicherung hat angesprochen; Netzstecker nicht richtig eingesteckt.	Ein-/Ausschalter betätigen. Prüfen, ob der Strom angeschlossen ist. Die Sicherung muss intakt/eingeschaltet sein.
Es steht Wasser auf den Glasböden.	Das Tauwasserabflussrohr ist verstopft	Tauwasserrinne und Abflussloch in der Rückwand reinigen.
Vibrationen oder störende Geräusche.	Der Schrank steht schief. Der Schrank berührt andere Elemente.	Schrank mit einer Wasserwaage ausrichten. Den Schrank von den Elementen oder Geräten abrücken, die er berührt.
Der Kompressor läuft ständig.	Zu niedrig eingestellte Temperatur. Hohe Raumtemperatur.	Höhere Schranktemperatur einstellen. Für gute Belüftung sorgen.
Die Temperatur im Gerät ist zu hoch.	Temperatureinstellung. Einlegen nicht vorgekühlter Getränke.	Niedrigere Temperatur einstellen. Getränke so verteilen, dass die Luft zirkulieren kann.
Eisbildung im Verdampfer.	Türkontakt in der Fußleiste nicht aktiviert.	Der Türkontakt wird beim Schließen der Tür aktiviert.

Reklamation, Ersatzteile und Service.

Der Lieferant haftet nicht für Fehler oder Schäden, die direkt oder indirekt durch Fehlbedienung, Missbrauch, mangelhafte Wartung, fehlerhaften Einbau, fehlerhafte Aufstellung oder fehlerhaften Anschluss sowie Feuer, Unfall, Blitzschlag, Spannungsänderungen oder andere elektrische Störungen – wie z.B. defekte Sicherungen oder Fehler in der Netzinstallation – sowie von anderen als den von dem Lieferanten vorgeschriebenen

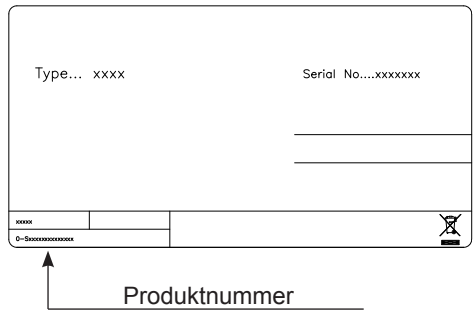
Reparaturbetrieben ausgeführten Reparaturen verursacht wurden, und allgemein nicht für Fehler und Schäden, die der Lieferant nachweislich auf andere Ursachen als Fabrikations- und Materialfehler zurückführen kann. Diese Fehler oder Schäden fallen nicht unter das Reklamationsrecht.

Transportschäden, die der Anwender feststellt, sind primär eine Sache zwischen ihm und dem Händler, d.h. der Händler hat den Anwender zufrieden zu stellen.

Bevor Sie den Kundendienst rufen, prüfen Sie bitte, ob Sie den Fehler selbst beheben können (siehe Fehlersuche). Ist Ihr Hilfeverlangen unberechtigt, beispielsweise weil das Versagen des Geräts auf eine defekte Sicherung oder Fehlbedienung zurück zu führen ist, gehen die Kosten für den Servicebesuch zu Ihren Lasten.

Ersatzteile

Bitte bei der Ersatzteilbestellung Typ- und Seriennummer sowie Produktnummer angeben. Diese Angaben finden Sie auf dem Typenschild.



Das Typenschild enthält verschiedene technische Angaben, u.a. auch Typ- und Seriennummer. Denken Sie daran! Stets nur autorisierte Handwerker zu beauftragen, wenn ein Teil repariert oder ausgewechselt werden muss!

Entsorgung.

Benutzerinformation zur Sammlung und Entsorgung von veralteten Geräten und benutzten Batterien.



Diese Symbole auf den Produkten, Verpackungen und/oder Begleitdokumenten bedeuten, dass benutzte elektrische und elektronische Produkte und Batterien nicht in den allgemeinen Hausmüll gegeben werden sollen. Bitte bringen Sie diese alten Produkte und Batterien zur Behandlung, Aufarbeitung bzw. zum Recycling gemäß Ihrer Landesgesetzgebung und den Richtlinien 2002/96/EG und 2006/66/EG zu Ihren zuständigen Sammelpunkten.

Indem Sie diese Produkte und Batterien ordnungsgemäß entsorgen, helfen Sie dabei, wertvolle Ressourcen zu schützen und eventuelle negative Auswirkungen auf die menschliche Gesundheit und die Umwelt zu vermeiden, die anderenfalls durch eine unsachgemäße Abfallbehandlung auftreten können.

Wenn Sie ausführlichere Informationen zur Sammlung und zum Recycling alter Produkte und Batterien wünschen, wenden Sie sich bitte an Ihre örtlichen Verwaltungsbehörden, Ihren Abfallentsorgungsdienstleister oder an die Verkaufseinrichtung, in der Sie die Gegenstände gekauft haben.

Gemäß Landesvorschriften können wegen nicht ordnungsgemäßer Entsorgung dieses Abfalls Strafge­lder verhängt werden.



Für geschäftliche Nutzer in der Europäischen Union.

Wenn Sie elektrische oder elektronische Geräte entsorgen möchten, wenden Sie sich wegen genauerer Informationen bitte an Ihren Händler oder Lieferanten.

[Informationen zur Entsorgung in Ländern außerhalb der Europäischen Union]

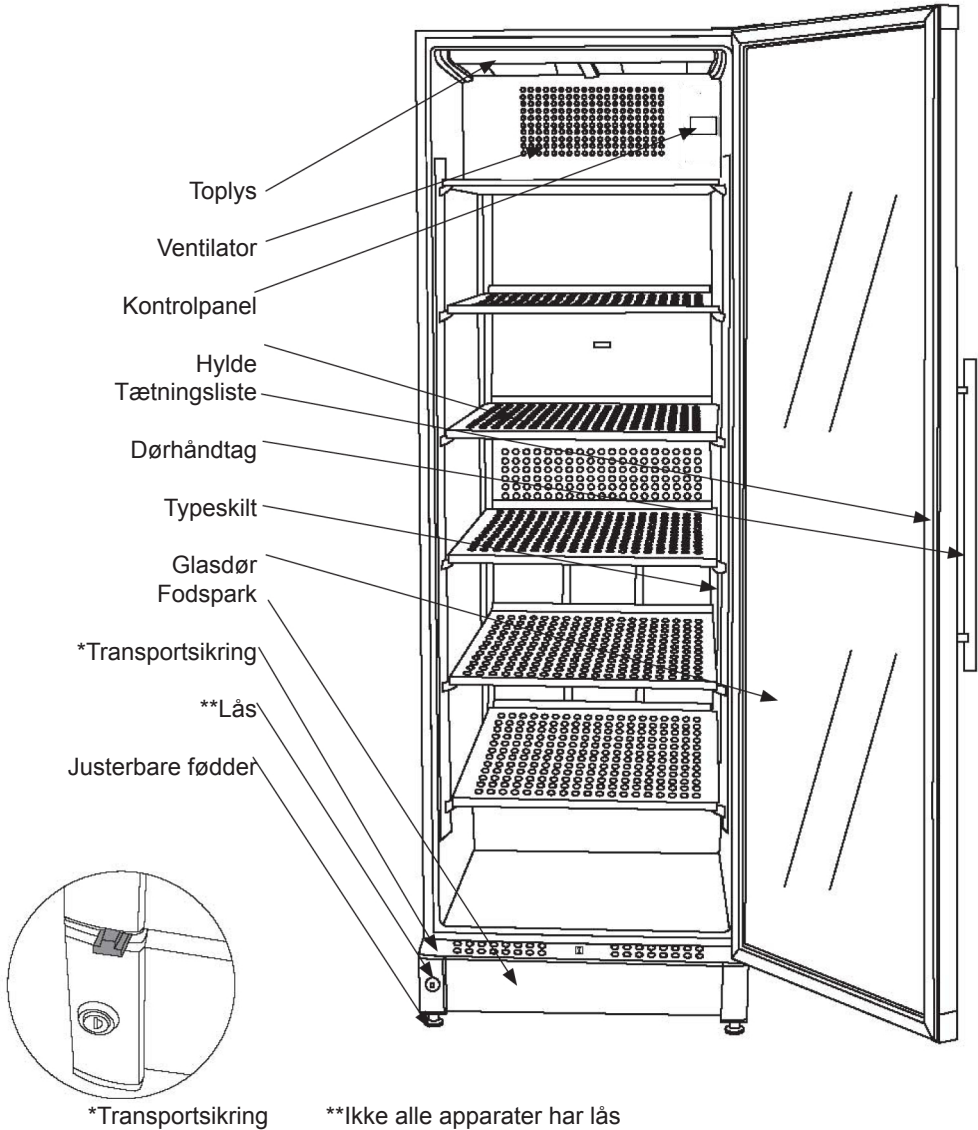
Diese Symbole gelten nur innerhalb der Europäischen Union. Bitte treten Sie mit Ihrer Gemeindeverwaltung oder Ihrem Händler in Kontakt, wenn Sie dieses Produkt entsorgen möchten, und fragen Sie nach einer Entsorgungsmöglichkeit.



Hinweis zum Batteriesymbol (unten zwei Symbolbeispiele):

Dieses Symbol kann in Kombination mit einem chemischen symbol verwendet werden. In diesem Fall erfüllt es die Anforderungen derjenigen Richtlinie, die für die betreffende Chemikalie erlassen wurde.

Lær flaskekøleren at kende.



Advarsel.

Såfremt apparatet indeholder kulbrinte-kølemiddel, henvises til nedenstående retningslinier.

Da kølemidlet, som anvendes i apparatet, er en brændbar gasart, er det vigtigt at sikre, at kølekredsløb og rør ikke er beskadigede.

Standard EN378 angiver, at rummet hvor apparatet installeres skal have en volumen på 1 m³ pr. 8 g kulbrinte kølemiddel, der er brugt i apparatet. Dette er for at undgå dannelse af brandfarlige gas-/luftblandinger i rummet, hvis der skulle opstå en utæthed i kølekredsløbet. Mængden af kølemiddel i apparatet er angivet på typeskiltet.

ADVARSEL:Lad ventilationsåbninger, i apparatets kabinet og i eventuelt indbygningsmodul, være utildækkede.

ADVARSEL:Anvend ikke mekaniske apparater eller andre hjælpemidler til at fremskynde afrimningsprocessen, udover dem som er anbefalet af fabrikanten.

ADVARSEL:Anvend ikke elektriske apparater inden i apparatet, medmindre de er af en type som er anbefalet af fabrikanten.

ADVARSEL:Apparatet må ikke udsættes for regn.

ADVARSEL:Dette apparat er ikke beregnet til at blive anvendt af små børn, medmindre det er blevet tilstrækkeligt kontrolleret af en ansvarlig person, sådan at

apparatet kan anvendes forsvarligt. Små børn skal være under opsyn for at sikre at de ikke leger med apparatet.

- Opbevar altid nøgler et separat sted utilgængeligt for børn.
- Træk stikket ud af stikkontakten før reparation eller rengøring af apparatet.
- Hvis netledningen er beskadiget, skal den udskiftes af producenten, producentens serviceagent eller anden fagmand for at undgå fare.
- Dannelse af rim på den indvendige fordamperplade og de øverste dele er normalt. Apparatet skal derfor afrimes i forbindelse med almindelig rengøring eller vedligeholdelse.
- Såfremt der findes en lyskilde i apparatet, fremgår udskiftning af belysningen i brugsanvisningen.
- Vær opmærksom på at ændringer i apparatets konstruktion vil medføre, at al garanti og produktansvar bortfalder.

CLASS 1 LED PRODUCT

Indholdfortegnelse:

Lær flaskekøleren at kende	2
Advarsel.....	3
Inden brug.	4
Tekniske data.....	4
Ibrugtagning og installation.....	5
Betjening.....	8
Indretning.....	9
Afrimning, rengøring og vedligehold.....	10
Fejlfindingsliste.....	11
Reklamation, reservedele og service. ..	12
Bortskaffelse.....	13

Tekniske data.

Dette apparat overholder bestemmelserne i relevante EU Direktiver herunder Lavspændings Direktivet 2006/95/EØF og Elektromagnetisk kompatibilitet 2004/108/EF

Typeskiltet som er placeret inde i apparatet, indeholder forskellige tekniske oplysninger samt produkt- type- og serienummer.

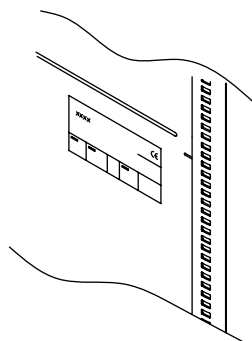


fig. 1

Inden brug.

Inden du anvender dit nye apparat bør du læse brugsanvisningen grundigt. Brugsanvisningen indeholder vigtige informationer vedrørende sikkerhed, installation, drift og vedligeholdelse. Gem brugsanvisningen. Du kan få brug for den på et senere tidspunkt.

Kontroller at skabet ikke er beskadiget ved modtagelsen. Transportskader skal anmeldes til forhandleren inden apparat tages i brug.

Transportsikring fjernes før apparatet tages i brug. Sikringen hænges på én af hylderne, da den kan anvendes til at genindstille døren med.

Fjern emballagen. Rengør skabet indvendigt med lunken vand tilsat et mildt opvaskemiddel. Afvask med rent vand og tør grundigt af (se rengøring). Brug en blød klud.

Hvis skabet har ligget ned under transport eller det er blevet opbevaret i kolde omgivelser (koldere end +5 °C) skal apparatet stå op i minimum en time inden ibrugtagning. Bemærk, skabet må kun ligge med døren op ad - og kun i original emballage.

Ibrugtagning og installation.

Placering.

Af sikkerhedsmæssige og driftsmæssige grunde må apparatet ikke placeres uden-dørs.

Underlaget hvorpå skabet opstilles skal være plant. Brug ikke en ramme eller lignende.

Stil skabet på et plant underlag i et tørt og godt ventileret rum (max. 70% relativ luftfugtighed). Undgå at skabet udsættes for direkte sollys eller varme fra anden varmekilde.

Skabet kan stå frit op ad en væg og stå side om side med andre skabe (fig. 5 se side 6)

Rumtemperatur.

Klimaklassen står på typeskiltet (se fig. 1 side 3). Den angiver indenfor hvilke rumtemperaturer køleskabet kører optimalt.

Klimaklasse	Tilladt rumtemperatur
SN	+10 °C til +32 °C
N/ST	+16 °C til +38 °C
T	+18 °C til +43 °C

Bemærk, at skabets optimale driftsområde er ved en omgivende temperatur, der går fra 16° C til 38° C.

Ventilation.

Det er vigtigt, at skabet får tilstrækkelig ventilation og at der er uhindret luftcirkulation over, under og omkring det. Figuren nedenfor viser, hvor store luftmellelrum der kræves for at sikre den nødvendige cirkulation.

Mindst 150 mm i toppen. (fig. 2).

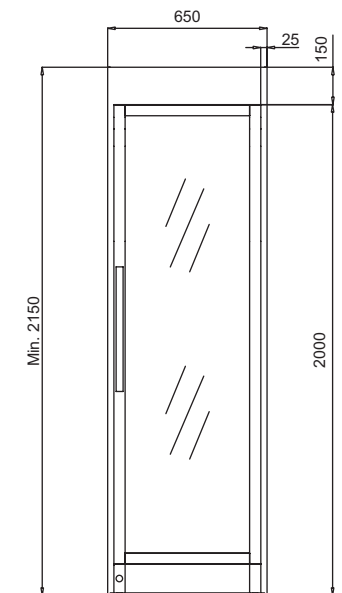


fig. 2

Ventilationssikringer.

Luk de to ventilationssikringer placeret på skabets bagside. Deres funktion er at sikre den nødvendige luftcirkulation (se fig. 3)

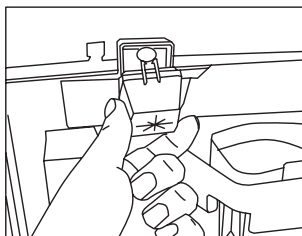


fig.3

Fig.4: Anvendes kun på nogle apparater.

Montér de vedlagte ventilationssikringer på bagsiden af apparatet. Deres funktion er at sikre den nødvendige luftcirkulation

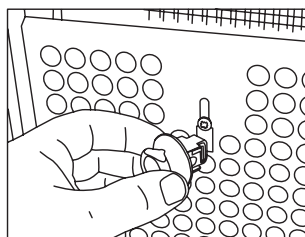


fig.4

Side by side.

Ved "Side by side" skal der være 25 mm luft mellem og ved siden af skabene, således dørene ikke går mod hinanden når de åbnes.

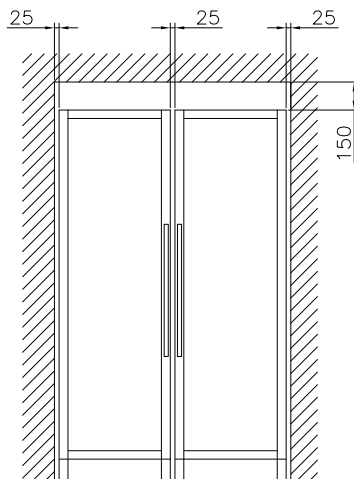


fig5

Justering af skabet.

Det er vigtigt, at skabet står helt lige. Skabet justeres på følgende måde:

1. Juster skabet så det står i lod sideværts ved at dreje de stilbare fødder op eller ned. Anvend den medfølgende skrue-nøgle.
2. Kontroller at skabet står lige.

Står skabet på et blødt underlag som f.eks. et trægulv eller et tæppe bør man efter et stykke tid igen tjekke om skabet står lige, da underlaget kan give sig under vægten fra skabet.

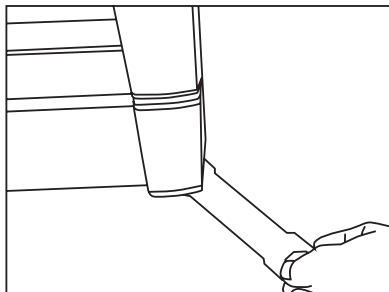


fig. 6

Transportsikringen anvendes ved højdejustering af døren, og hvis skabet skal flyttes.

Opbevar altid nøglerne separat og uden for børns rækkevidde.

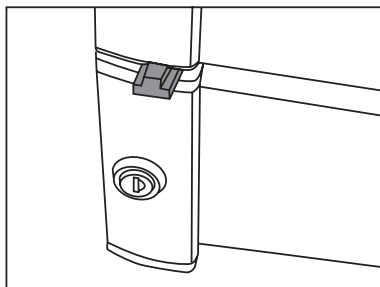


fig. 7

Betjening og funktion.

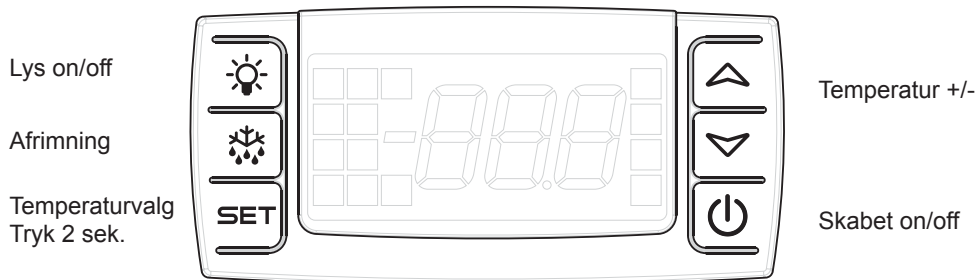


fig. 8

Elektronisk kontrol.

Den elektroniske styring sørger for at skabet holder de indstillede temperaturer i toppen og bunden af skabet. Efter en eventuel strømafbrydelse husker skabet den indstillede temperatur.

Manuel afrimning.

Hvis der er behov for en manuel afrimning trykkes på afrimningsknappen i mere end 2 sek.

Efter 30 min. stopper afrimningen automatisk og den elektroniske styring går tilbage til normal tilstand.

Display.

Displayet viser den aktuelle temperatur og indikerer at skabet er tilsluttet en strømfor- syning.

Indstilling af temperatur.

Tryk på Set knappen i venstre side 2 sek, derefter kan temperaturen ændres ved hjælp af piltasterne på højre side.

OBS:

Ved tryk på skabets "on/off" knap stopper kompressoren og lyset slukkes. Når der efterfølgende igen trykkes "på on/of" startes kompressoren men lyset forbliver slukket og man skal derfor selv tænde lyset igen ved tryk på "lys on/of"

Indretning.

Hylder.

Hylderne er flytbare. Hylderne kan flyttes når døren er åbnet mere end 90 grader. Hylderne tages ud ved at fjerne hylde-sikringen og løfte hylden og trække den frem. Den kan nu fjernes og placeres i den ønskede position.

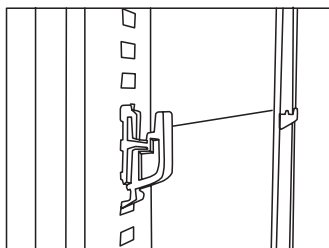


fig. 9A

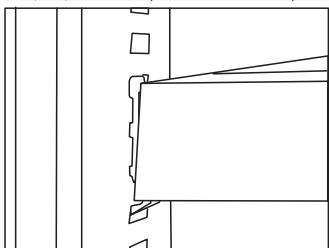


fig. 9B

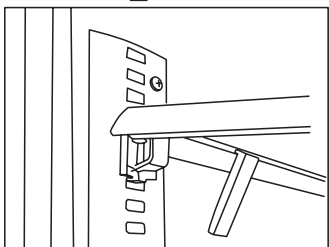


fig. 9C

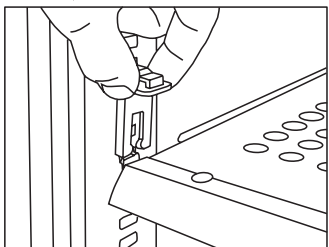


fig. 9D

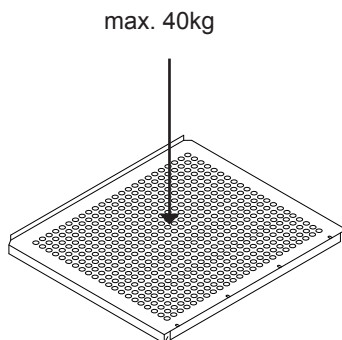
1. Tag hyldeknægten ud af hylde-skinnen.

2. Placér hyldeknægten i den ønskede højde (fig. 9A).

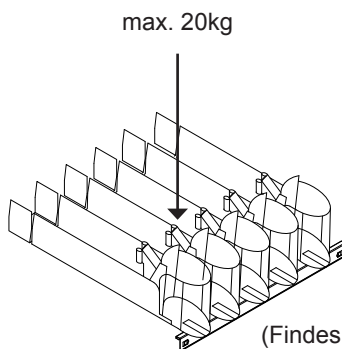
3. Sæt hylden ind i skabet igen. Kontrollér at hyldeknægterne er placeret i samme højde (fig. 9B).

4. Hyldeknægterne skal påsættes ens i højden, så hylden kommer til at ligge vandret (fig. 9C).

5. Hylde-sikringerne monteres (fig. 9D).



max. 40kg



max. 20kg

(Findes ikke i alle modeller)

Afrimning, rengøring og vedligeholdelse.

Automatisk afrimning

Afrimning af apparatet sker automatisk, smeltevand løber gennem et rør ned til tøvandsskålen der sidder oven på kompressoren. Vandet fordamper på grund af varmen fra kompressoren.

Rengøring

Afbryd strømmen på tænd/sluk knappen ① når skabet skal rengøres indvendigt.

Skabet rengøres bedst med en opløsning af lunkent vand tilsat lidt opvaskemiddel (max. 65 °C). Anvend ikke rengøringsmidler der kan ridse. Brug en blød klud. Vask efter med rent vand og tør grundigt af. Undgå at der kommer vand ind i betjeningspanelet.

Tøvandsrenden, hvor kondensvandet fra fordamperen løber ned i, sidder på bagvæggen inde i skabet. Sørg for at den er ren. Brug et desinfektionsmiddel, som f.eks. Rodalon, der skal dryppes i tøvandsafløbet et par gange om året. Rens med en piberenser eller lignende. Brug aldrig skarpe eller spidse genstande.

Tætningslisten rundt ved døren kræver jævnlig rengøring for at undgå misfarvning og sikre lang holdbarhed. Brug rent vand. Efter rengøring af dørens tætningsliste bør du kontrollere om den fortsat slutter tæt.

På kompressoren og i kompressorummet fjernes støvet bedst med en støvsuger.

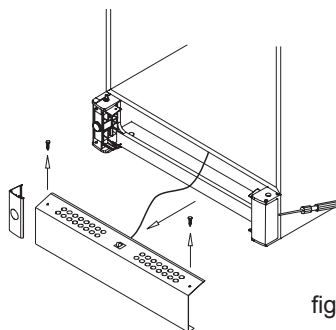


fig. 10

M200 / FKG883: Ved at fjerne fodsparket er det muligt at rengøre kondensatoren (fig. 10), det bør gøres 1 - 3 gange om året.

1. Tag nøglen ud af cylinderen og afmonter forsigtigt søjleafdækningen i begge sider. Anvend en lige-kærvet skrue-trækker.
2. Fjern fodsparket under døren.

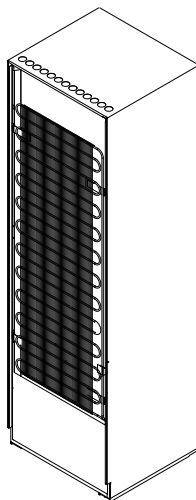


fig. 11

M210 / FKG884: Rygkondensatoren skal rengøres mindst én gang om året (fig. 11)

Fejlfindingsliste.

Fejl	Mulig årsag	Afhjælpning
Ingen kontrollamper lyser.	Skabet er slukket. Strømsvigt; sikringen er slået fra; netstikket er ikke sat rigtigt i.	Tryk på tænd/sluk knappen. Kontrollér om strømmen er tilsluttet. Sikringen skal være slået til.
Der ligger vand på hylderne.	Tøvandsafløbsrøret er tilstoppet.	Rens tøvandsrenden og afløbs-hullet i bagvæggen.
Vibrationer eller generende støj.	Skabet står skævt. Skabet hviler op mod andre elementer.	Indstil skabet med et vaterpas. Ryk skabet væk fra elementer eller apparater, som står umiddelbart op ad skabet.
Kompressor kører konstant.	For lav temperaturindstilling. Høj rumtemperatur.	Indstil højere temperatur. Sørg for god ventilation.
Temperaturen i skabet er for høj.	Temperaturindstilling Påfyldning af ikke nedkølede drikkevarer.	Indstil lavere temperatur Fordel drikkevarerne så luften kan cirkulere.
Isdannelse i fordampere	Døren er åben	Luk døren

Reklamation, reservedele og service.

Reklamationsretten

Såfremt der konstateres fejl ved produktet, kan De over for leverandøren gøre brug af reklamationsretten ifølge gældende lovgivning. Producenten skal for egen regning afhjælpe fabriktions- og materialefejl, der konstateres ved apparatets normale brug under forudsætning af, at apparatet er købt som fabriksnyt i Danmark. For Grønland og Færøerne gælder særlige bestemmelser.

Såfremt det skønnes nødvendigt at apparatet indsendes til værksted, sker indsendelse og returnering for producentens regning og risiko.

Der er ikke dækning for fejl eller skader direkte eller indirekte opstået ved fejlbetjening, misbrug, mangelfuld vedligeholdelse, forkert indbygning, opstilling eller tilslutning. Det samme gælder for brand, ulykke, lynnedslag, spændingsvariationer eller andre elektriske forstyrrelser som f.eks. defekte sikringer eller fejl i forsyningsnettets elektriske installationer.

Reparationer udført af andre end de anviste reparatører, og i det hele taget fejl og skader, som leverandøren kan godtgøre skyldes andre årsager end fabriktions- og materialefejl, er ikke omfattet af reklamationsretten.

Vær opmærksom på, at ved indgreb i apparatets opbygning, og ved ændring af apparatets komponentbestykning bortfalder garanti og produktansvar og apparatet kan ikke lovligt anvendes. Godkendelse anført på mærkeskilt er ligeledes ugyldig.

Transportskader, der konstateres hos forbrugeren, er primært en sag mellem forbruger og forhandler, dvs. forhandler må drage omsorg for, at forbrugeren stilles tilfreds. Inden du tilkalder serviceassistance, bedes

du kontrollere de fejlmuligheder, du selv kan afhjælpe. (Se fejlfindingslisten)

Såfremt dit krav om afhjælpning er uberegtiget, eksempelvis hvis apparatets svigt skyldes en sprunget sikring eller en fejlbetjening, må du selv betale de omkostninger, der er forbundet med at have tilkaldt serviceassistance.

Reservedele

Angiv venligst type- og serienummer samt produkt nummer, når du bestiller reservedele

Disse oplysninger finder du på typeskiltet. Typeskiltet indeholder forskellige tekniske oplysninger, samt type- og serienummer. Husk altid at bruge autoriserede håndværkere, hvis der er noget der skal repareres eller udskiftes!

The diagram shows a rectangular label with the following fields:

- Top left: Type... xxxx
- Top right: Serial No....xxxxxxx
- Bottom left: A small box containing 'xxxx' and a barcode.
- Bottom right: A box containing 'Produkt nr.' with an arrow pointing to the label's bottom edge.

Bortskaffelse.

Brugerinformation om indsamling og bortskaffelse af elektroniskrot og brugte batterier



Disse symboler på produkter, emballage og/eller ledsagedokumenter betyder, at brugte elektriske og elektroniske produkter og batterier ikke må smides ud som almindeligt husholdningsaffald. Sådanne gamle produkter og batterier skal indleveres til behandling, genvinding resp. recycling i henhold til gældende nationale bestemmelser samt direktiverne 2002/96/EF og 2006/66/EF.

Ved at bortskaffe sådanne produkter og batterier på korrekt vis hjælper du med til at beskytte værdifulde ressourcer og imødegå de negative påvirkninger af det menneskelige helbred og miljøet, som vil kunne være følgen af usagkyndig affaldsbehandling.

Ønsker du mere udførlig information om indsamling og recycling af gamle produkter og batterier, kan du henvende dig til din kommune, deponeringselskabet eller stedet, hvor du har købt produkterne.

Usagkyndig bortskaffelse af elektroniskrot og batterier kan eventuelt udløse bødeforlæg.



For kommercielle brugere i Den Europæiske Union

Når du ønsker at kassere elektriske eller elektroniske apparater, bedes du henvende dig til din forhandler eller leverandør for nærmere information.

[Information om bortskaffelse i lande uden for Den Europæiske Union]

Disse symboler gælder kun inden for Den Europæiske Union. Hvis du ønsker at afhænde dette produkt, skal du rette henvendelse til de lokale myndigheder eller din forhandler. Her kan du få oplysninger om, hvordan du bedst kommer af med produktet.



Information om batterisymbol (to eksempler nedenfor):

Dette symbol kan optræde sammen med et kemisk symbol. I så fald opfylder det kravene for det direktiv, som er blevet fastlagt for det pågældende kemikalie.

GB Reserves the right to alter specifications without prior notice.

DE Recht auf Änderungen vorbehalten.

DK Ret til ændringer forbeholdes