

# Schaltplan

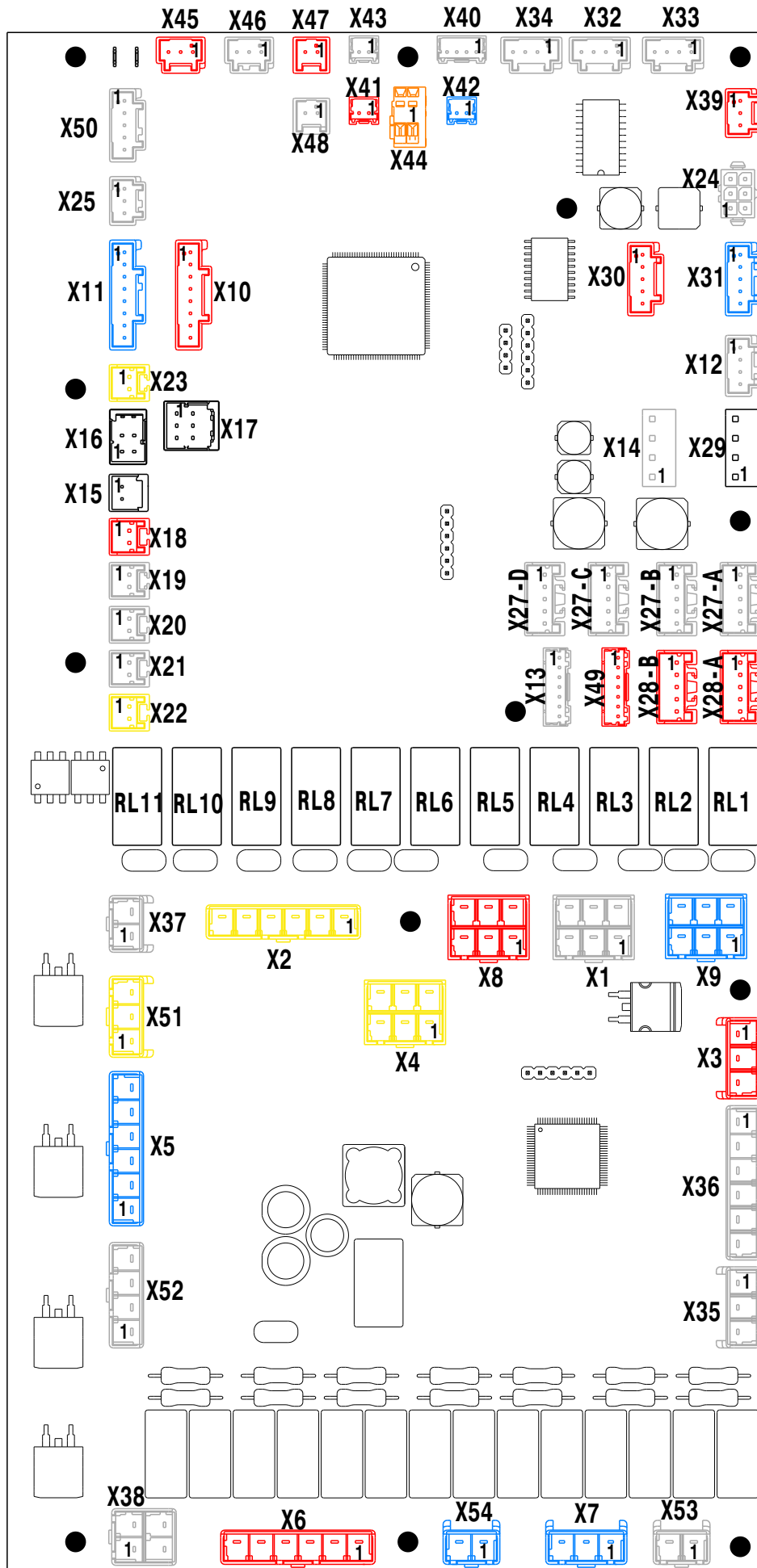
Heißluftdämpfer **MAGISTAR TI**

**MAGISTAR Combi TI 6 x GN1/1-E**

[Art. 406218620]



# MAIN BOARD ACU



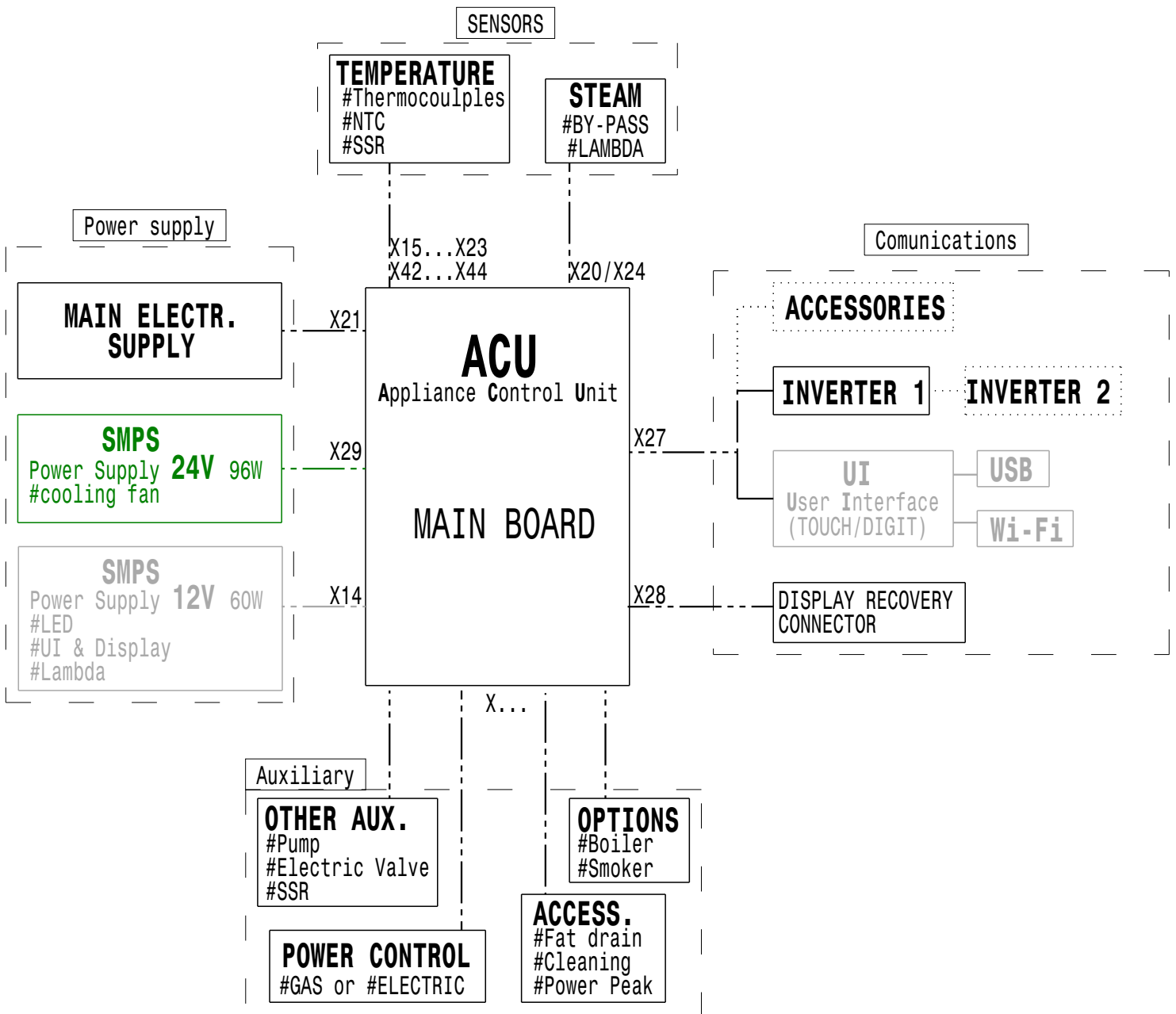
# ACU LEGENDA

| Ref. | Group                        | Pin | Direct. | Function                                       |
|------|------------------------------|-----|---------|--|
| X1   | Power Supply                 | 1   | IN      | L Power Supply                                 |
|      |                              | 2   | IN      | N Power Supply                                 |
|      |                              | 3   | IN      | L Power Supply                                 |
|      |                              | 4   | IN      | N Power Supply                                 |
|      |                              | 5   | IN      |  |
|      |                              | 6   | OUT     | SW-OFF   |
| X2   | Water Service                | 1   | OUT     | EV1 Instant steam solenoid valve               |
|      |                              | 2   | OUT     | EV2 Quenching solenoid valve                   |
|      |                              | 3   | OUT     | EV4 Spray unit solenoid valve                  |
|      |                              | 4   | OUT     | BV3 Cavity drain ball valve OPEN               |
|      |                              | 5   | OUT     | BV3 Cavity drain ball valve CLOSE              |
|      |                              | 6   | OUT     | N  |
| X3   | Clean. Syst. Basic           | 1   | OUT     | EV7 Cleaning water fill solenoid valve         |
|      |                              | 2   | OUT     | M8 Cleaning pump                               |
|      |                              | 3   | OUT     | N  |
| X4   | Cleaning System Drawer Rinse | 1   | OUT     | EV11 Drawer fill solenoid valve                |
|      |                              | 2   | OUT     | EV12 Drawer drain solenoid valve               |
|      |                              | 3   | OUT     |  |
|      |                              | 4   | OUT     |  |
|      |                              | 5   | OUT     |  |
|      |                              | 6   | OUT     | N  |
| X5   | Boiler Fill & Clean          | 1   | OUT     | EV5 Boiler fill solenoid valve                 |
|      |                              | 2   | OUT     |  |
|      |                              | 3   | OUT     | BV6 Boiler drain ball valve OPEN               |
|      |                              | 4   | OUT     | BV6 Boiler drain ball valve CLOSE              |
|      |                              | 5   | OUT     |  |
|      |                              | 6   | OUT     | N  |
| X6   | Sensing                      | 1   | IN      | TSC Cavity safety thermostat                   |
|      |                              | 2   | IN      | BBC1 Cavity gas blower burner                  |
|      |                              | 3   | IN      |  |
|      |                              | 4   | IN      | HVI4 Motor drive fuse                          |
|      |                              | 5   | IN      |  |
|      |                              | 6   | IN      |  |
| X7   | Sensing                      | 1   | IN      | TSB Boiler safety thermostat                   |
|      |                              | 2   | IN      | BBB1 Boiler gas blower burner                  |
|      |                              | 3   | IN      |  |
| X8   | Cavity GAS burner            | 1   | OUT     | N  |
|      |                              | 2   | OUT     | FCU Cavity flame control unit reset            |
|      |                              | 3   | OUT     |  |
|      |                              | 4   | IN      | FCU Cavity flame control unit power supply IN  |
|      |                              | 5   | OUT     | FCU Cavity flame control unit power supply OUT |
|      |                              | 6   | OUT     |  |
| X9   | Boiler GAS burner            | 1   | OUT     | N  |
|      |                              | 2   | OUT     | FBU Boiler flame control unit reset            |
|      |                              | 3   | OUT     |  |
|      |                              | 4   | IN      | FBU Boiler flame control unit power supply IN  |
|      |                              | 5   | OUT     | FBU Boiler flame control unit power supply OUT |
|      |                              | 6   | OUT     |  |
| X10  | Cavity GAS blower            | 1   | OUT     | VTCU Cavity blower control Power supply        |
|      |                              | 2   | IN      | VTCU Cavity blower control Tachometer          |
|      |                              | 3   | IN      |  |
|      |                              | 4   | OUT     | VTCU Cavity blower control Speed               |
|      |                              | 5   | IN      |  |
|      |                              | 6   | IN      |  |
|      |                              | 7   | OUT     |  |
|      |                              | 8   | OUT     | VTCU Boiler blower control GND                 |
| X11  | Boiler GAS blower            | 1   | OUT     | VTBU Boiler blower control Power supply        |
|      |                              | 2   | IN      | VTBU Boiler blower control Tachometer          |
|      |                              | 3   | IN      |  |
|      |                              | 4   | OUT     | VTBU Boiler blower control Speed control       |
|      |                              | 5   | IN      |  |
|      |                              | 6   | IN      |  |
|      |                              | 7   | OUT     |  |
|      |                              | 8   | OUT     | VTBU Boiler blower control GND                 |

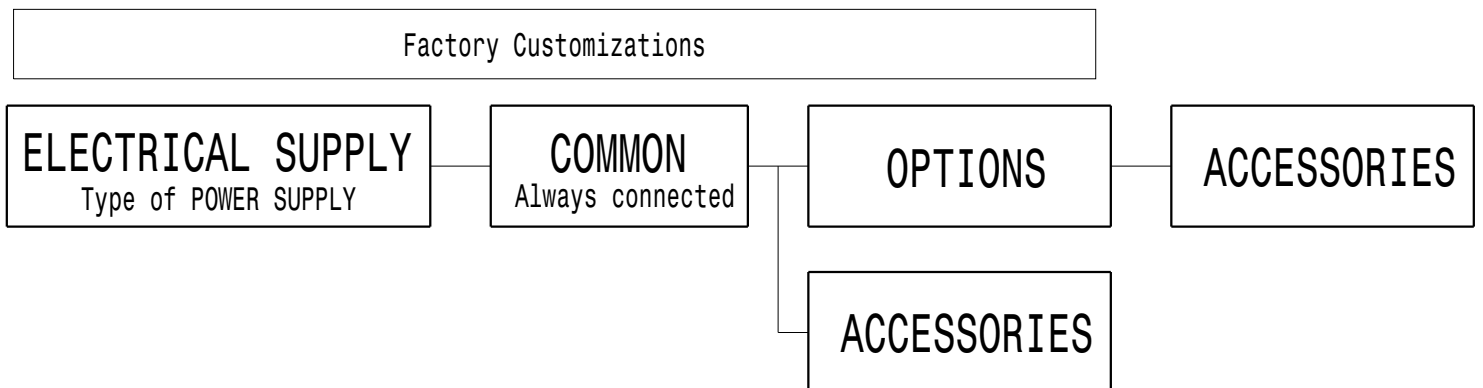
| Ref.  | Group                  | Pin | Direct. | Function   |
|-------|------------------------|-----|---------|--|
| X12   | Led                    | 1   | OUT     | H1 LED lighting 1 anode                          |
|       |                        | 2   | IN      | H1 LED lighting 1 catode                         |
|       |                        | 3   | IN      | H2 LED lighting 2 catode                         |
|       |                        | 4   | OUT     | H2 LED lighting 2 anode                          |
| X13   |                        |     |         | Adress   |
| X14   | 12V                    | 1   | IN      | +12V dc  |
|       |                        | 2   | IN      |  |
|       |                        | 3   | IN      | 0V dc  |
|       |                        | 4   | IN      |  |
| X15   | Food probe temperature | A1  | IN      | TFP 1 <sup>st</sup> point food probe temperature |
|       |                        | B1  | IN      |  |
| X16   | Food probe temperature | A1  | IN      | TFP 2 <sup>nd</sup> point food probe temperature |
|       |                        | B1  | IN      |  |
|       |                        | A2  | IN      | TFP 3 <sup>rd</sup> point food probe temperature |
|       |                        | B2  | IN      |  |
| X17   | Food probe temperature | A1  | IN      | TFP 4 <sup>th</sup> point food probe temperature |
|       |                        | B1  | IN      |  |
|       |                        | A2  | IN      | TFP 5 <sup>th</sup> point food probe temperature |
|       |                        | B2  | IN      |  |
|       |                        | A3  | IN      | TFP 6 <sup>th</sup> point food probe temperature |
|       |                        | B3  | IN      |  |
| X18   | Temper.                | 1   | IN      | TCAV Cavity Thermocouple                         |
| X19   | Temper.                | 1   | IN      |  |
|       |                        | 2   | IN      | TBO1 Boiler Thermocouple                         |
| X20   | Temper.                |     |         | -- NOT USE --                                    |
| X21   | Temper.                |     |         | -- NOT USE --                                    |
| X22   | Temper.                | 1   | IN      | TQS Quenching System Thermocouple                |
|       |                        | 2   | IN      |  |
| X23   | Temper.                | 1   | IN      | TAR Aromatizer Thermocouple                      |
|       |                        | 2   | IN      |  |
| X24   | Lambda                 |     |         | Lambda sensor                                    |
| X25   | Boiler level           | 1   | IN/OUT  | SL Boiler safety level dection probe             |
|       |                        | 2   | IN/OUT  | WL Boiler working level dection probe            |
|       |                        | 3   | IN      | REF Boiler level detection probes reference      |
| X27-A |                        |     | IN/OUT  | PMACS communication BUS                          |
| X27-B |                        |     | IN/OUT  | PMACS communication BUS                          |
| X27-C |                        |     | IN/OUT  | PMACS communication BUS                          |
| X27-D |                        |     | IN/OUT  | PMACS communication BUS                          |
| X28-A |                        |     | IN/OUT  | PMACS Recovery communication BUS                 |
| X28-B |                        |     | IN/OUT  | PMACS Recovery communication BUS                 |
| X29   | 24V                    | 1   | IN      | +24V dc  |
|       |                        | 2   | IN      |  |
|       |                        | 3   | IN      |  |
|       |                        | 4   | IN      | 0V dc  |
| X30   | Cavity SSR             | 1   | OUT     | KC1 Cavity 1 solid state relay                   |
|       |                        | 2   | OUT     | KC2 Cavity 2 solid state relay                   |
|       |                        | 3   | OUT     |  |
|       |                        | 4   | OUT     |  |
|       |                        | 5   | OUT     | 0V dc  |
| X31   | Boiler SSR             | 1   | OUT     | KB1 Boiler 1 solid state relay                   |
|       |                        | 2   | OUT     | KB2 Boiler 2 solid state relay                   |
|       |                        | 3   | OUT     |  |
|       |                        | 4   | OUT     |  |
|       |                        | 5   | OUT     | 0V dc  |

| Ref. | Group               | Pin | Direct. | Function                              |
|------|---------------------|-----|---------|---------------------------------------|
| X32  | Cooling Fan 1       | 1   | OUT     | FAN1 Cooling fan 1 power supply 24Vdc |
|      |                     | 2   | IN      | FAN1 Cooling fan 1 tachometer sensor  |
|      |                     | 3   | OUT     | FAN1 Cooling fan 1 speed control      |
|      |                     | 4   | OUT     | FAN1 Cooling fan 1 power supply 0Vdc  |
| X33  | Cooling Fan 2       |     |         | -- NOT USE --                         |
| X34  | Cooling Fan 3       |     |         | -- NOT USE --                         |
| X35  | Vent. Valve         | 1   | OUT     | VV1 Venting valve 1 cw rotation       |
|      |                     | 2   | OUT     | N                                     |
|      |                     | 3   | OUT     | VV1 Venting valve 1 ccw rotation      |
| X36  |                     |     |         | -- NOT USE --                         |
| X37  | KS                  | 1   | OUT     | KS Safety contactor                   |
|      |                     | 2   | OUT     |                                       |
| X38  | Smoker              | 1   | OUT     | N                                     |
|      |                     | 2   | OUT     | R1 (Smoker heating element)           |
|      |                     | 3   | OUT     |                                       |
|      |                     | 4   | IN      |                                       |
| X39  | Flow meter          | 1   |         |                                       |
|      |                     | 2   | OUT     | FM Flow meter reference               |
|      |                     | 3   | IN      | FM Flow meter feedback                |
| X40  | Temper.             | 1   | OUT     | NCC NTC cabinet components            |
|      |                     | 2   | IN      |                                       |
|      |                     | 3   | OUT     | NM8 NTC pump M8                       |
|      |                     | 4   | IN      |                                       |
| X41  | Temper.             | 1   | OUT     | NHSC NTC Cavity SSR heatsink          |
|      |                     | 2   | IN      |                                       |
| X42  | Temper.             | 1   | OUT     | NH5B NTC Boiler SSR heatsink          |
|      |                     | 2   | IN      |                                       |
| X43  | Temper.             |     |         | -- NOT USE --                         |
| X44  | Softner             | 1   | OUT     | SSW1 Softner interface                |
|      |                     | 2   | IN      |                                       |
| X45  | Switch              | 1   | OUT     | 24V Reference                         |
|      |                     | 2   | IN      | DS Door switch                        |
|      |                     | 3   | IN      | AFS Air filter switch                 |
| X46  | switch              | 1   | OUT     | 24V Reference                         |
|      |                     | 2   | IN      | SVV1 Venting valve CLOSE switch       |
|      |                     | 3   | IN      | SVV1 Venting valve OPEN switch        |
| X47  |                     | 1   | OUT     | 24V Reference                         |
|      |                     | 2   | IN      | SF Fat drain valve status switch      |
| X48  | Switch              | 1   | OUT     | 24V Reference                         |
|      |                     | 2   | IN      | DRS Cleaning drawer switch            |
| X49  |                     |     |         | Recovery Adress                       |
| X50  |                     | 1   | OUT     | 24V Reference                         |
|      |                     | 2   | IN      | HER Hood error                        |
|      |                     | 3   | IN      |                                       |
|      |                     | 4   | IN      |                                       |
|      |                     | 5   | IN      |                                       |
| X51  | Liquid Clean. Syst. | 1   | OUT     | P1 Liquid dergent pump                |
|      |                     | 2   | OUT     | P2 Liquid rinse pump                  |
|      |                     | 3   | OUT     | N                                     |
| X52  |                     | 1   | OUT     | HS2 Hood speed 2                      |
|      |                     | 2   | OUT     | HS1 Hood speed 1                      |
|      |                     | 3   | OUT     | HON Hood ON                           |
|      |                     | 4   | OUT     | N Neutral                             |
| X53  |                     | 1   | IN      | PPM1 Peak power managment 1           |
|      |                     | 2   | IN      | PPM2 Peak power managment 2           |
| X54  |                     |     |         | -- NOT USE --                         |

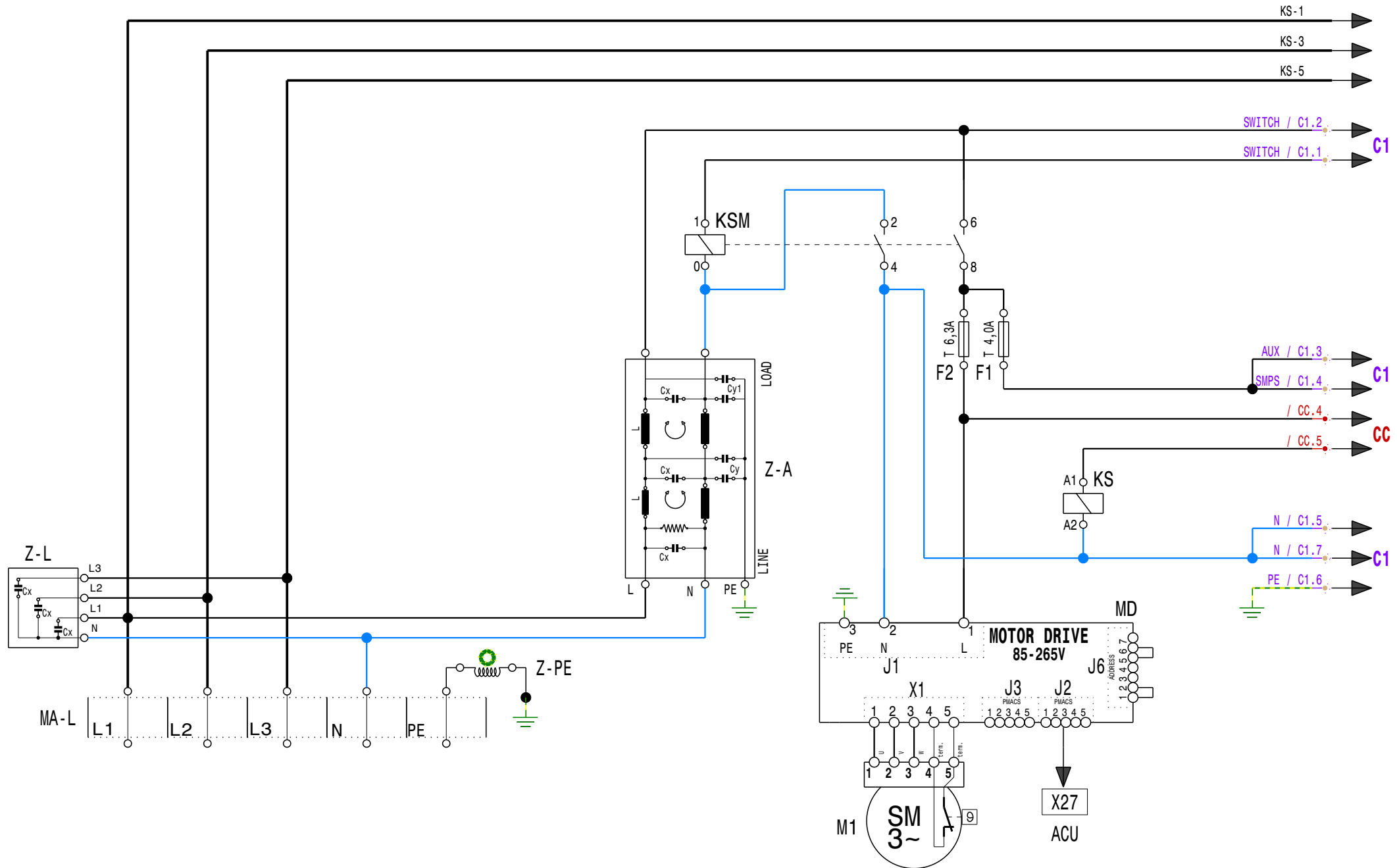
# LOGIC DIAGRAM



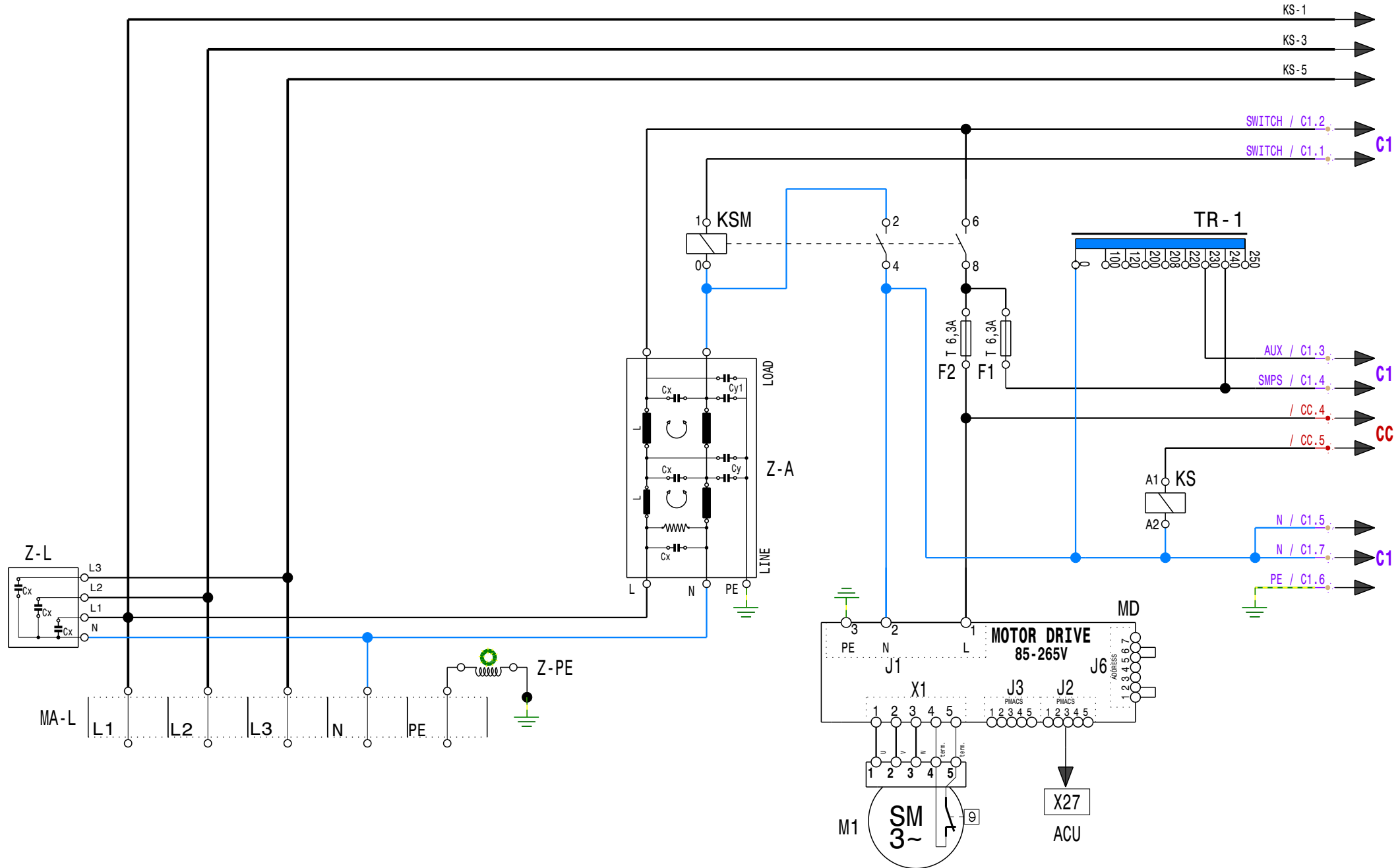
# HARNES DIAGRAM



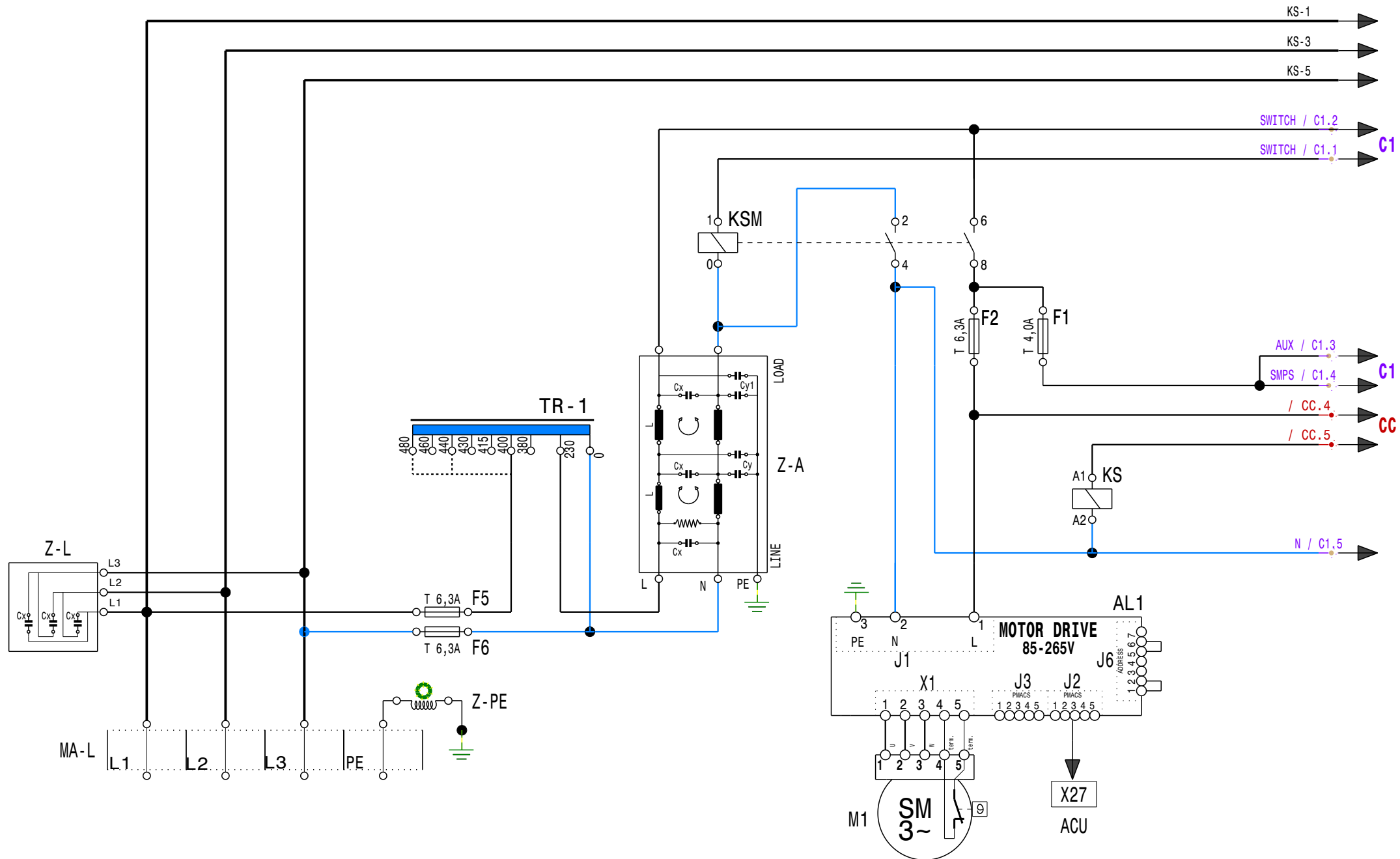




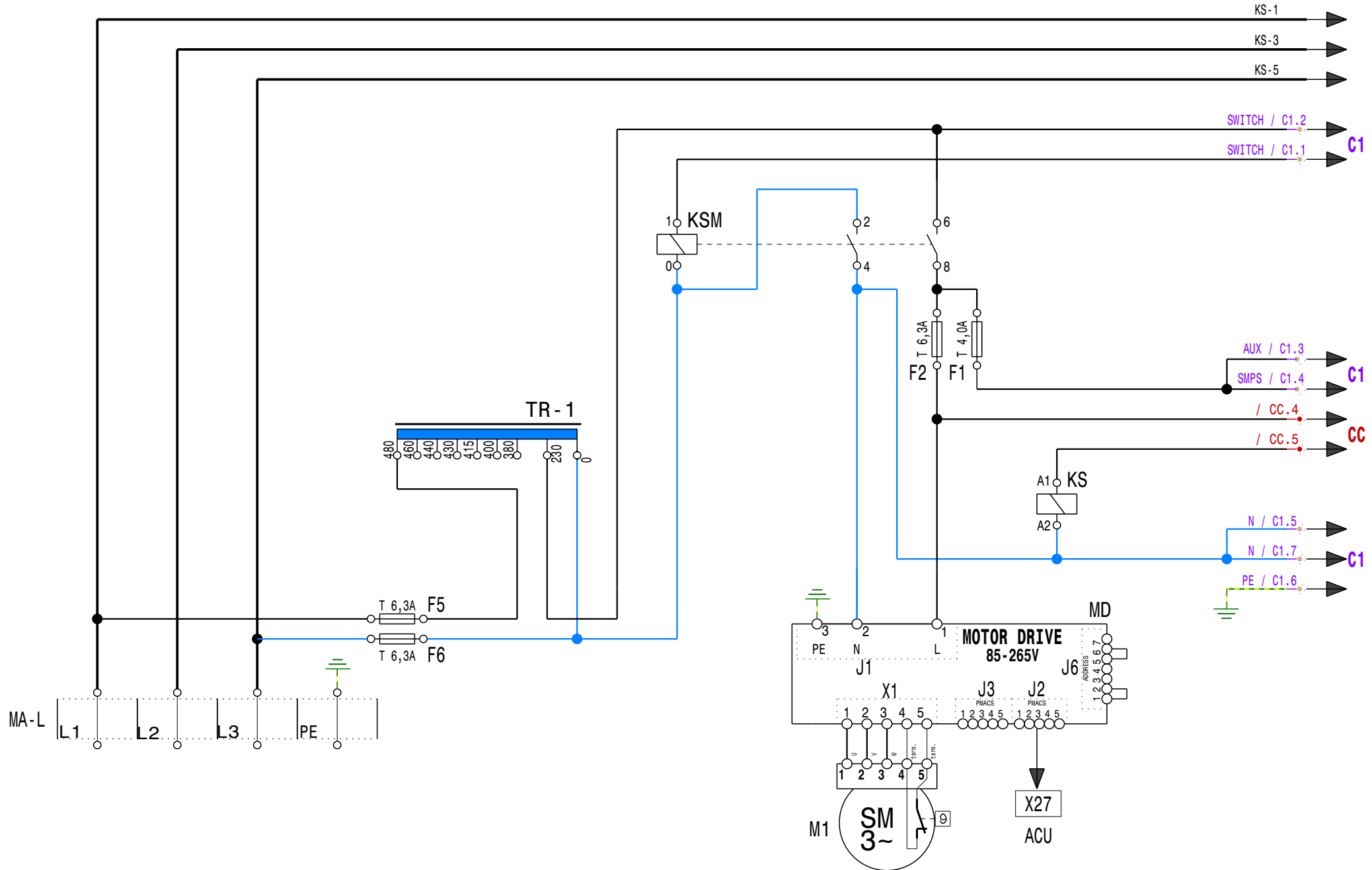
|                              |                             |                       |                            |   |   |            |
|------------------------------|-----------------------------|-----------------------|----------------------------|---|---|------------|
| <b>MA-L</b> TERMINAL BLOCK   | <b>Z-A</b> AUXILIARY FILTER | <b>MD</b> MOTOR DRIVE | <b>F1</b> AUXILIARY FUSE   | -   | - | -          |
| <b>Z-L</b> CAPACITIVE FILTER | <b>KSM</b> ON/OFF RELAY     | <b>M1</b> MOTOR       | <b>F2</b> MOTOR DRIVE FUSE | -   | - | -          |
| <b>Z-PE</b> GROUND FILTER    | <b>KS</b> SAFETY CONTACTOR  | -                     | -                          | COD 602402F02 ELECTRIC DIAGRAM 6/10 "ELT" 380-480V 3-3N CKM |   | From S/N : |



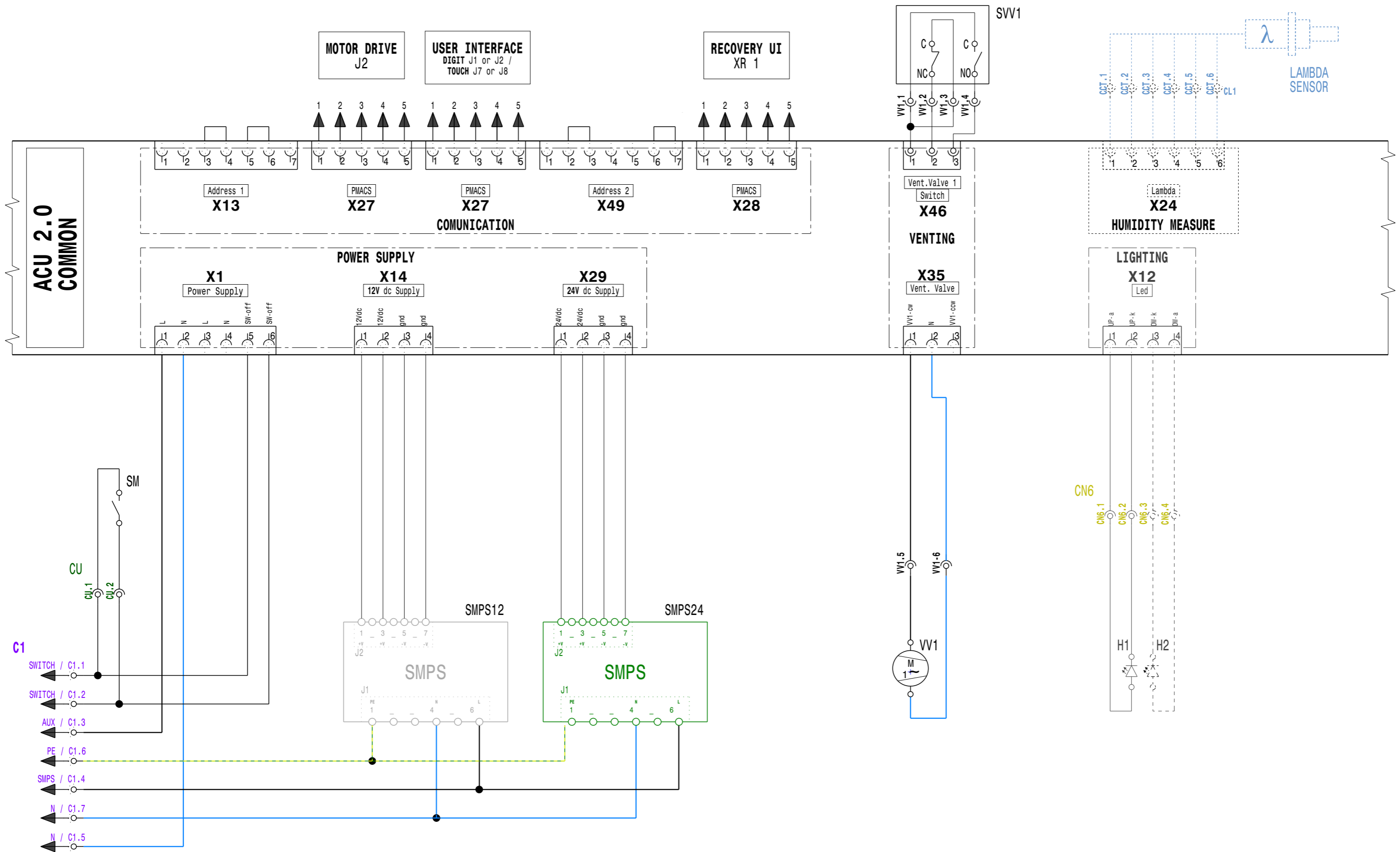
|      |                   |     |                  |    |             |    |                  |      |             |   |   |
|------|-------------------|-----|------------------|----|-------------|----|------------------|------|-------------|---|---|
| MA-L | TERMINAL BLOCK    | Z-A | AUXILIARY FILTER | MD | MOTOR DRIVE | F1 | AUXILIARY FUSE   | TR-1 | TRANSFORMER | -   | - |
| Z-L  | CAPACITIVE FILTER | KSM | ON/OFF RELAY     | M1 | MOTOR       | F2 | MOTOR DRIVE FUSE | -    | -           | -   | - |
| Z-PE | GROUND FILTER     | KS  | SAFETY CONTACTOR | -  | -           | -  | -                | -    | -           | -   | - |
|      |                   |     |                  |    |             |    |                  |      |             | COD 602402F02                                 |   |
|      |                   |     |                  |    |             |    |                  |      |             | ELECTRIC DIAGRAM 6/10 "ELT" 380-480V 3-3N CKM |   |
|      |                   |     |                  |    |             |    |                  |      |             | From S/N :                                    |   |



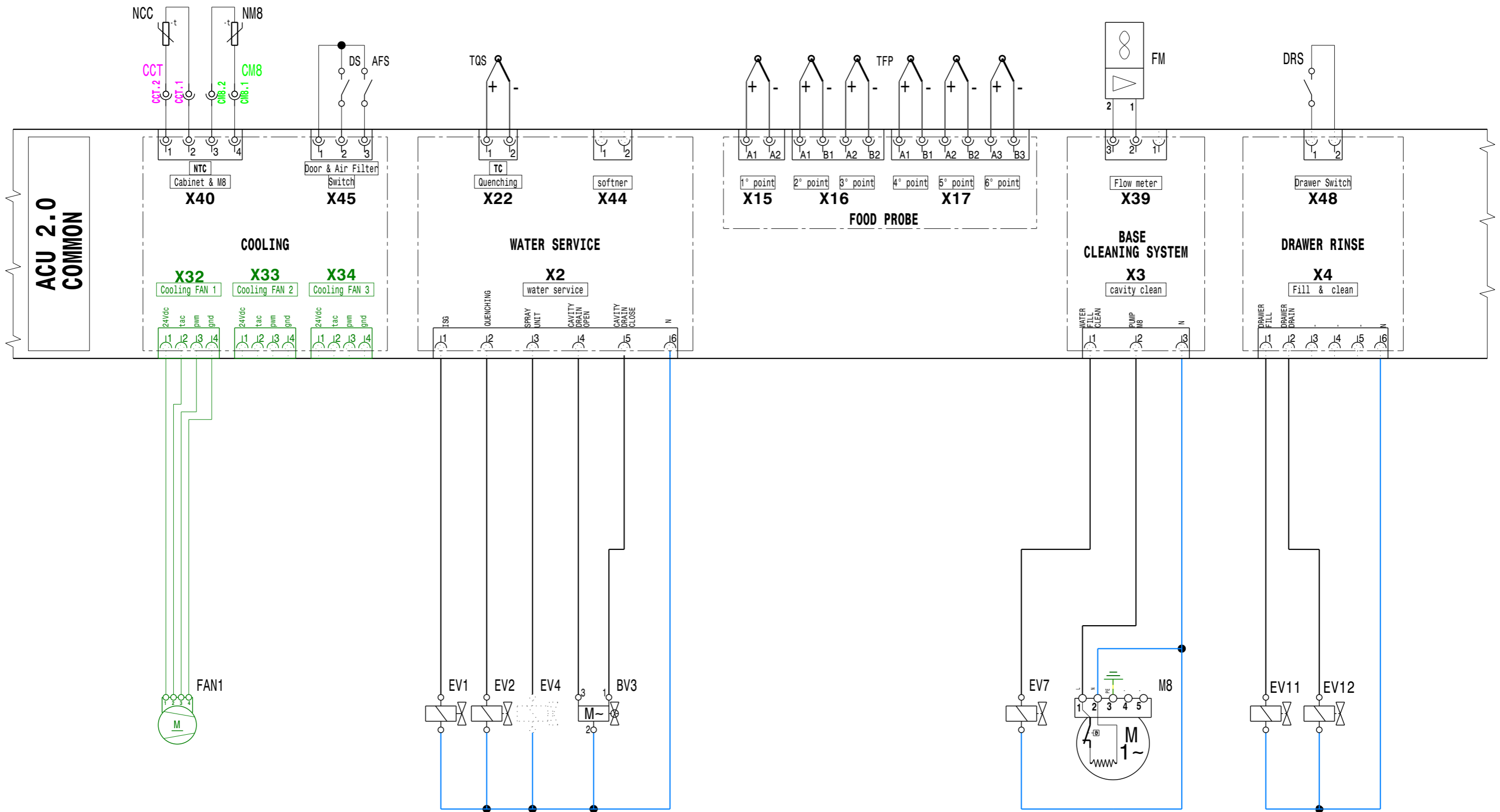
|      |                   |     |                  |    |             |               |                  |    |   |      |             |
|------|-------------------|-----|------------------|----|-------------|---------------|------------------|----|---|------|-------------|
| MA-L | TERMINAL BLOCK    | Z-A | AUXILIARY FILTER | MD | MOTOR DRIVE | F1            | AUXILIARY FUSE   | F5 | TRANSFORMER FUSE                              | TR-1 | TRANSFORMER |
| Z-L  | CAPACITIVE FILTER | KSM | ON/OFF RELAY     | M1 | MOTOR       | F2            | MOTOR DRIVE FUSE | F6 | TRANSFORMER FUSE                              | -    | -           |
| Z-PE | GROUND FILTER     | KS  | SAFETY CONTACTOR | -  | -           | COD 602402F02 |                  |    | ELECTRIC DIAGRAM 6/10 "ELT" 380-480V 3-3N CKM |      | From S/N :  |



|      |                |     |                  |    |             |               |                  |    |   |      |             |
|------|----------------|-----|------------------|----|-------------|---------------|------------------|----|---|------|-------------|
| MA-L | TERMINAL BLOCK | -   | -                | MD | MOTOR DRIVE | F1            | AUXILIARY FUSE   | F5 | TRANSFORMER FUSE                              | TR-1 | TRANSFORMER |
| -    | -              | KSM | ON/OFF RELAY     | M1 | MOTOR       | F2            | MOTOR DRIVE FUSE | F6 | TRANSFORMER FUSE                              | -    | -           |
| -    | -              | KS  | SAFETY CONTACTOR | -  | -           | COD 602402F02 |                  |    | ELECTRIC DIAGRAM 6/10 "ELT" 380-480V 3-3N CKM |      | From S/N :  |



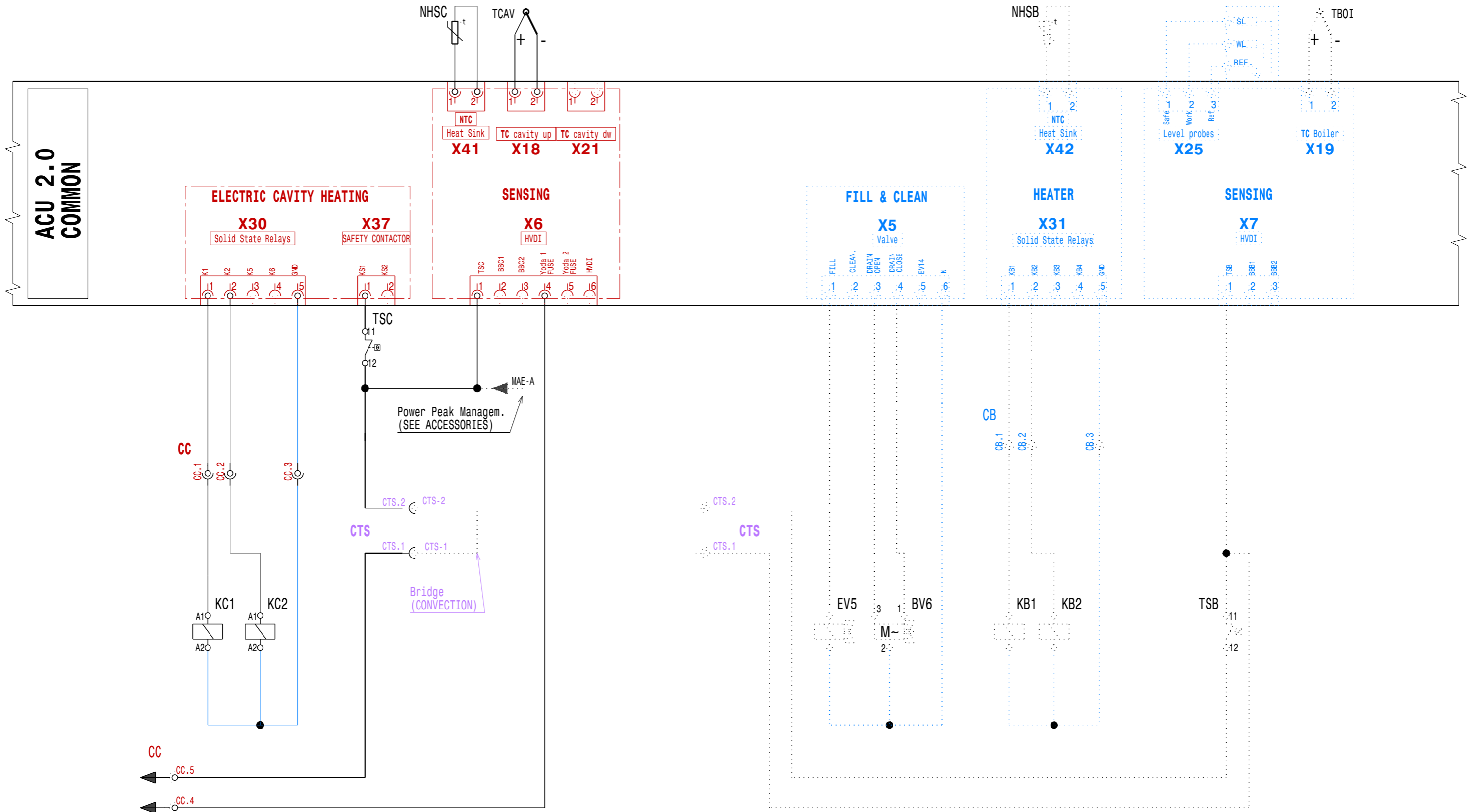
|    |             |   |   |        |          |      |                        |    |                |  |   |
|----|-------------|---|---|--------|----------|------|------------------------|----|----------------|--|---|
| SM | MAIN SWITCH | - | - | SMPS12 | SMPS 12V | VV1  | VENTING VALVE 1        | H1 | LED LIGHTING 1 | -  | - |
| -  | -           | - | - | SMPS24 | SMPS 24V | SVV1 | VENTING VALVE SWITCHES | H2 | LED LIGHTING 2 | -  | - |
| -  | -           | - | - | -      | -        | -    | -                      | -  | -              | COD 602402F02   ELECTRIC DIAGRAM 6/10 "ELT" 380-480V 3-3N CKM   From S/N : |   |



|             |                        |            |                    |            |                              |   |                              |             |                       |
|-------------|------------------------|------------|--------------------|------------|------------------------------|---|------------------------------|-------------|-----------------------|
| <b>FAN1</b> | COOLING FAN            | <b>DS</b>  | DOOR SWITCH        | <b>TFP</b> | FOOD PROBE TEMPERATURE       | <b>FM</b>   | FLOW METER                   | <b>DRS</b>  | DRAWER SWITCH         |
| <b>NCC</b>  | NTC CABINET COMPONENTS | <b>AFS</b> | AIR FILTER SWITCH  | <b>EV1</b> | INSTANT STEAM SOLENOID VALVE | <b>EV7</b>  | CLEANING WATER FILL S. VALVE | <b>EV11</b> | DRAWER FILL S. VALVE  |
| <b>NM8</b>  | NTC PUMP M8            | <b>TQS</b> | QUENCHING THERMOC. | <b>EV2</b> | QUENCHING SOL.VALVE          | <b>M8</b>   | CLEANING PUMP                | <b>EV12</b> | DRAWER DRAIN S. VALVE |
| -           | -                      | -          | -                  | <b>BV3</b> | CAVITY DRAIN BALL VALVE      | COD 602402F02   ELECTRIC DIAGRAM 6/10 "ELT" 380-480V 3-3N CKM |                              | From S/N :  |                       |

## ELECTRIC CONVECTION

## ELECTRIC BOILER (OPTION)



|   |   |            |                            |             |                          |   |   |   |   |
|---|---|------------|----------------------------|-------------|--------------------------|---|---|---|---|
| - | - | <b>KC1</b> | CAVITY SOLID STATE RELAY 1 | <b>NHSC</b> | NTC CAVITY SSR HEAT SINK | - | - | - | - |
| - | - | <b>KC2</b> | CAVITY SOLID STATE RELAY 2 | <b>TCAV</b> | CAVITY THERMOCOUPLE      | - | - | - | - |
| - | - | <b>TSC</b> | CAVITY SAFETY THERMOSTAT   | -           | -                        | - | - | - | - |

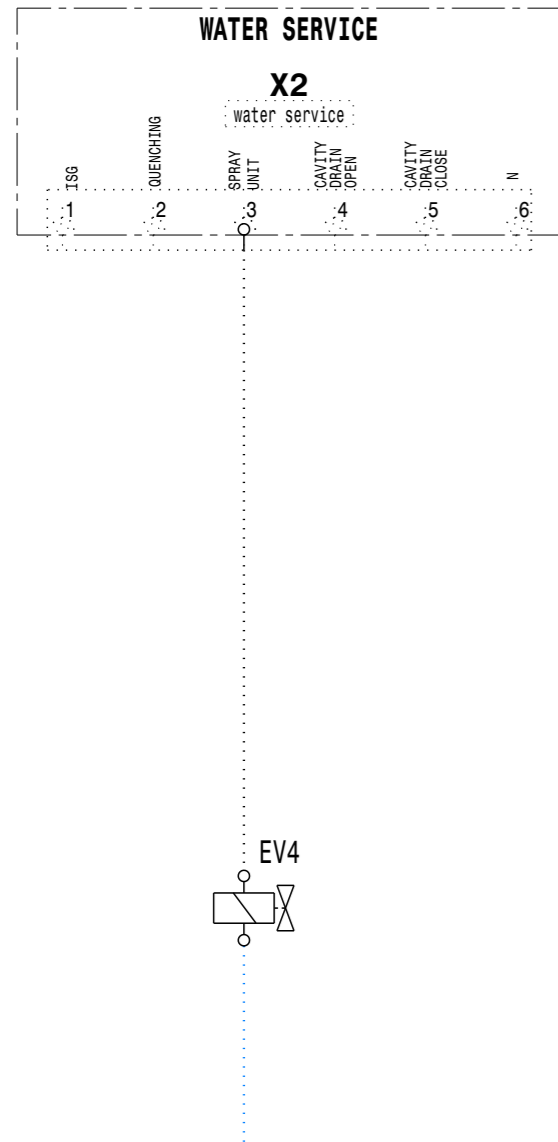
COD 602402F02 | ELECTRIC DIAGRAM 6/10 "ELT" 380-480V 3-3N CKM | From S/N :



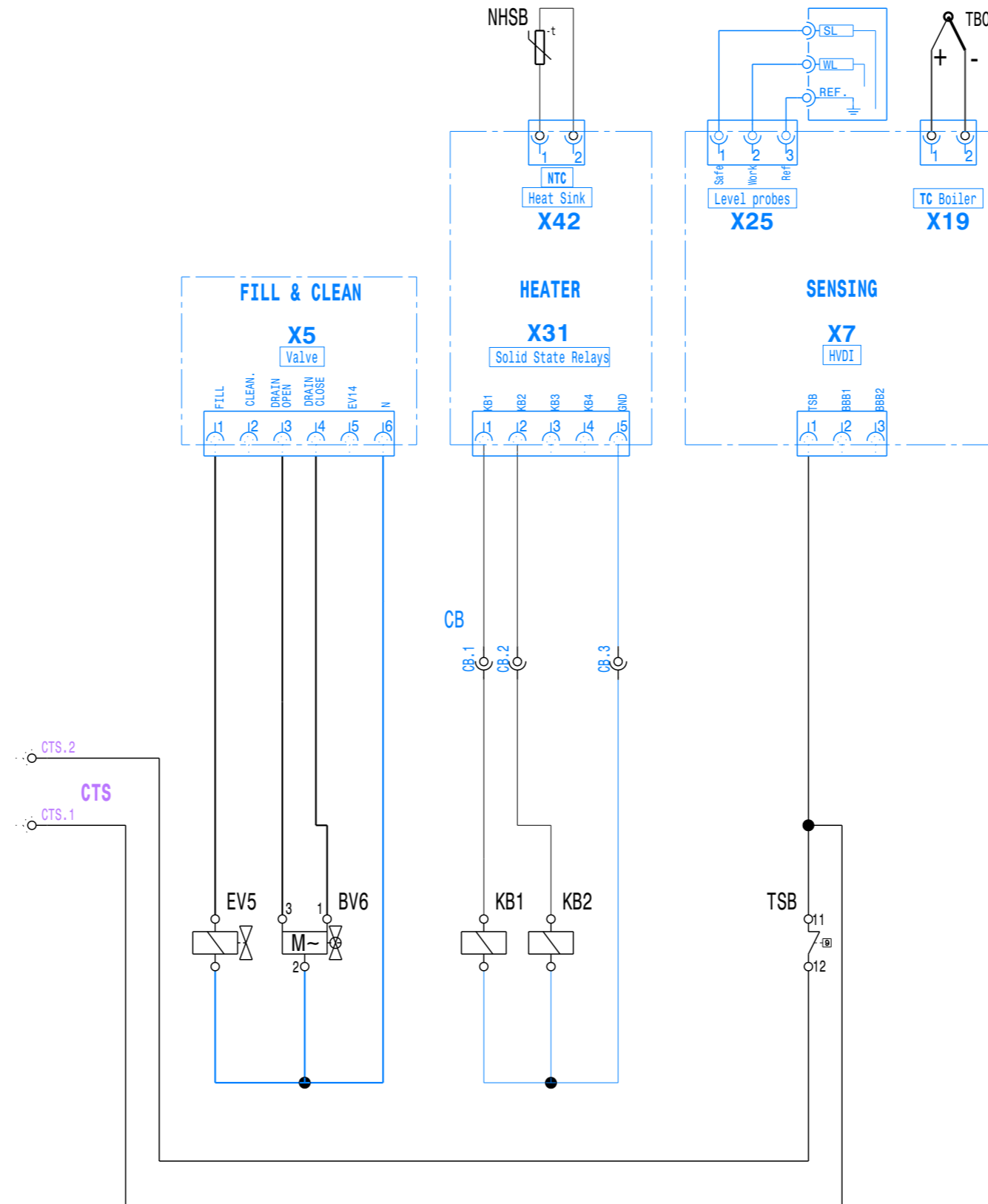
# OPTIONS

# "ELECTRIC"

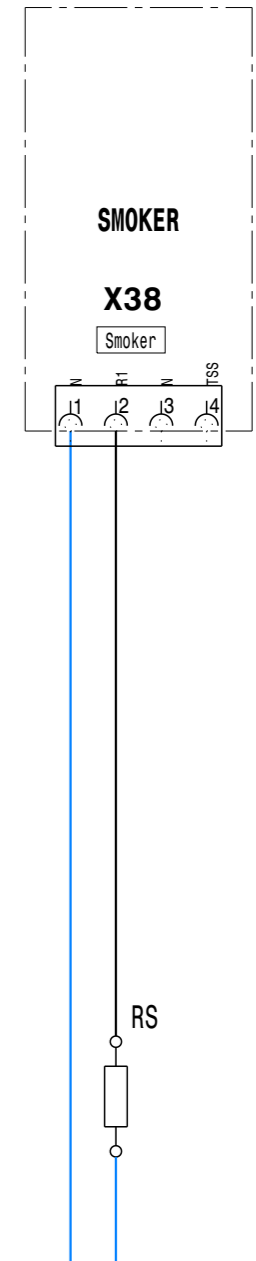
## WATER SPRAY



## ELECTRIC BOILER (OPTION)



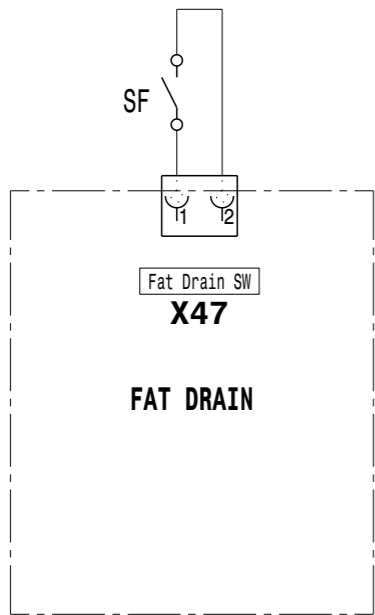
## SMOKER



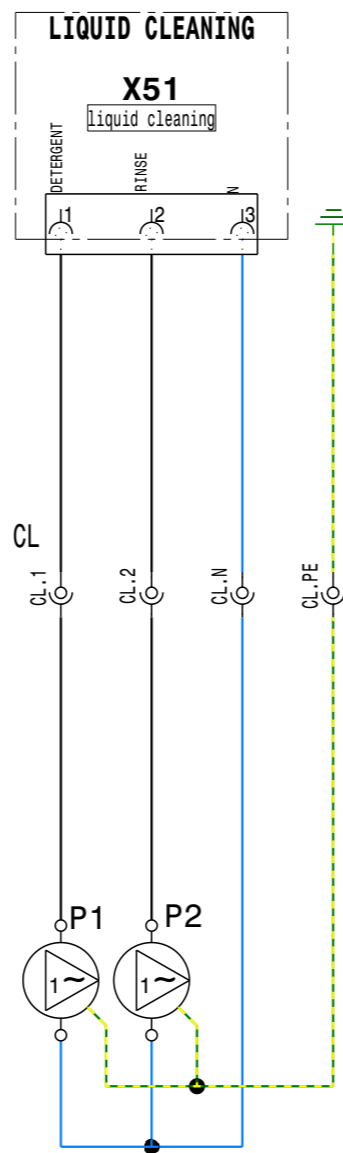
|            |            |   |   |            |                            |             |                          |               |   |   |               |
|------------|------------|---|---|------------|----------------------------|-------------|--------------------------|---------------|---|---|---------------|
| <b>EV4</b> | SPRAY UNIT | - | - | <b>EV5</b> | BOILER FILL SOLENOID VALVE | <b>NHSB</b> | NTC BOILER SSR HEAT SINK | -             | - | <b>RS</b>                                     | SMOKER HEATER |
| -          | -          | - | - | <b>BV6</b> | BOILER DRAIN BALL VALVE    | <b>TSB</b>  | BOILER SAFETY THERMOSTAT | -             | - | -   | -             |
| -          | -          | - | - | <b>KB1</b> | BOILER SOLID STATE RELAY 1 | <b>TBOI</b> | BOILER THERMOCOUPLE      | -             | - | -   | -             |
| -          | -          | - | - | <b>KB2</b> | BOILER SOLID STATE RELAY 2 | -           | -                        | COD 602402F02 |   | ELECTRIC DIAGRAM 6/10 "ELT" 380-480V 3-3N CKM |               |

From S/N :

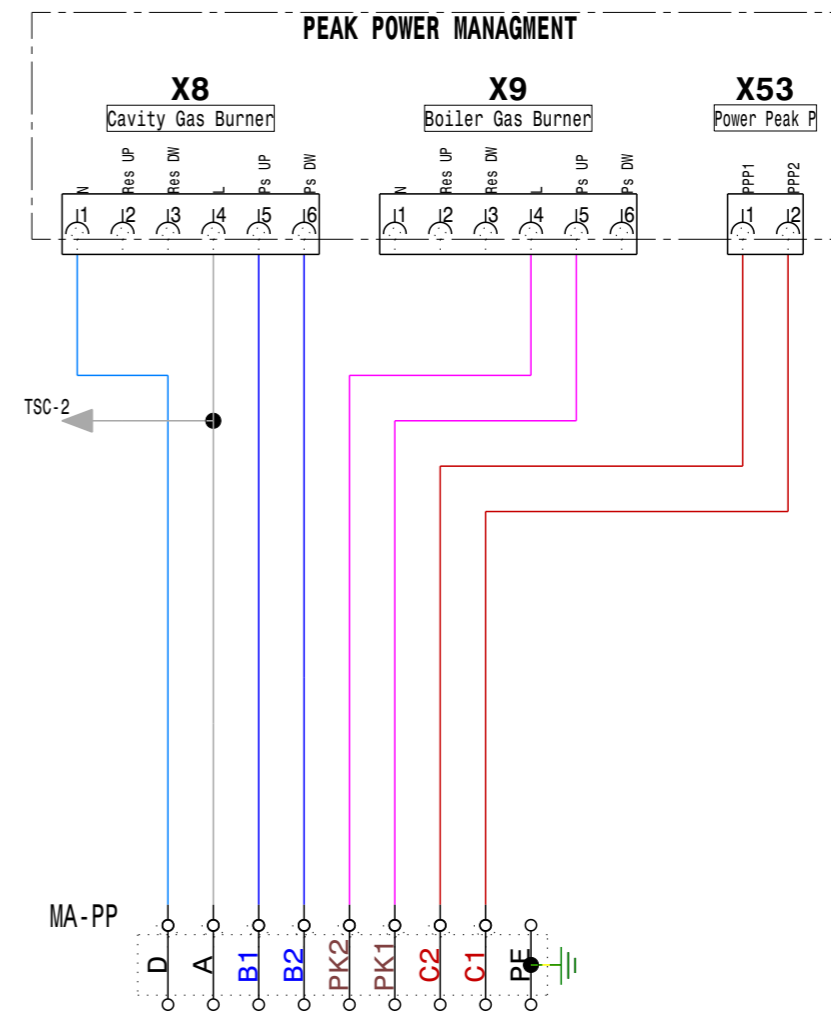
## FAT DRAIN SYSTEM



## LIQUID CLEANING

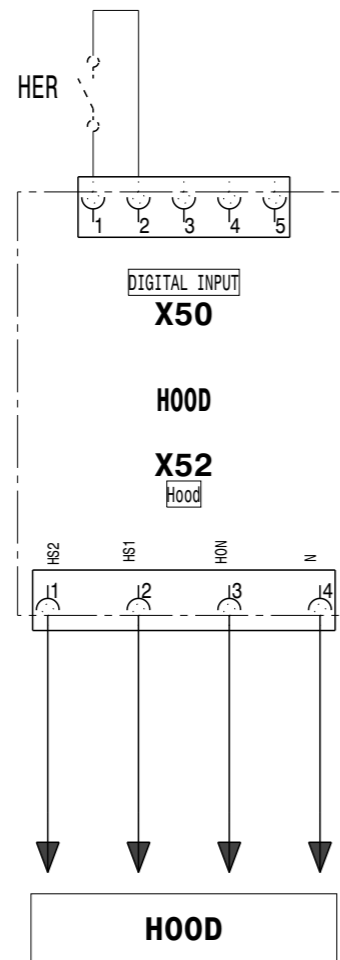


## PEAK POWER MANAGEMENT

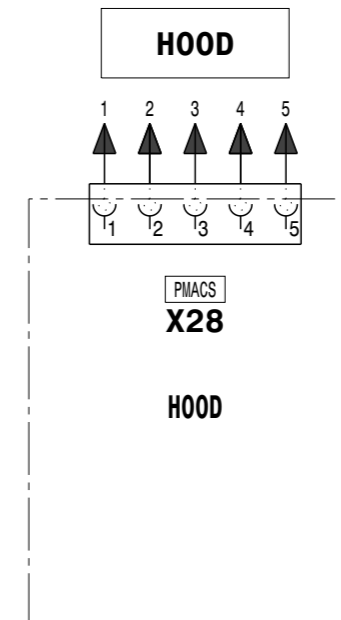


|    |                  |   |   |    |                |   |   |               |   |
|----|------------------|---|---|----|----------------|---|---|---------------|---|
| SF | FAT DRAIN SWITCH | - | - | P1 | RINSE PUMP     | - | - | MA-PP         | TERMINAL BLOCK PEAK POWER MANAGEMENT          |
| -  | -                | - | - | P2 | DETERGENT PUMP | - | - | -             | -   |
| -  | -                | - | - | -  | -              | - | - | COD 602402F02 | ELECTRIC DIAGRAM 6/10 "ELT" 380-480V 3-3N CKM |
|    |                  |   |   |    |                |   |   | From S/N :    |   |

## EXTRACTION HOOD CONDENSATION HOOD



## ODOURLESS HOOD

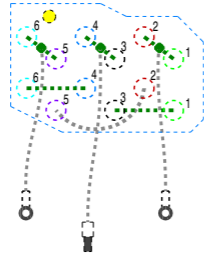


|   |   |   |   |               |   |            |
|---|---|---|---|---------------|---|------------|
| - | - | - | - | -             | -   |            |
| - | - | - | - | -             | -   |            |
| - | - | - | - | -             | -   |            |
|   |   |   |   | COD 602402F02 | ELECTRIC DIAGRAM 6/10 "ELT" 380-480V 3-3N CKM | From S/N : |

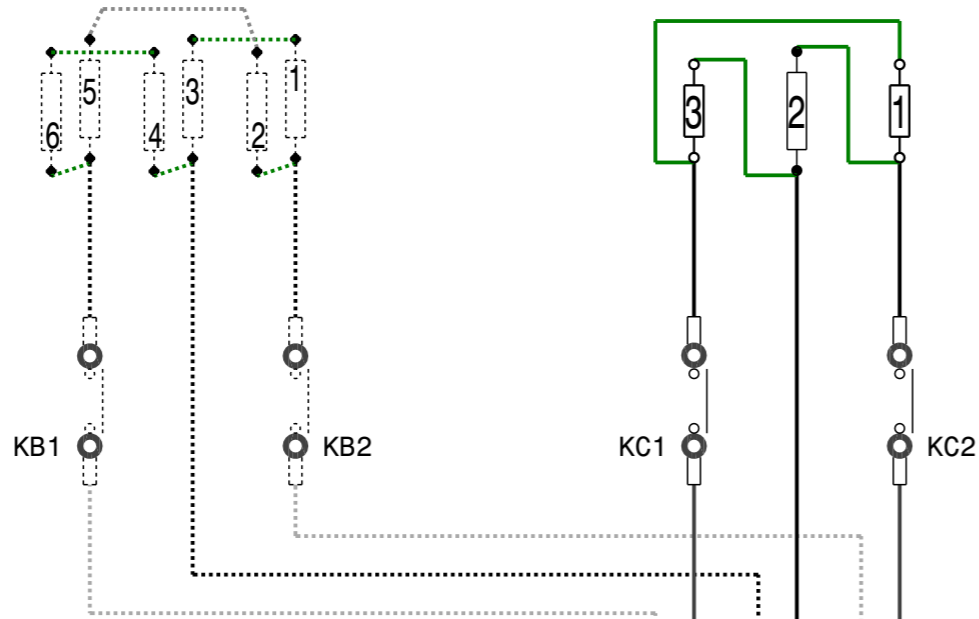
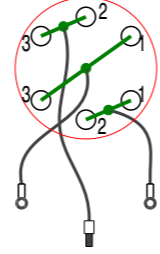
# ELECTRICAL POWER WIRING

# "ELECTRIC"

BOILER

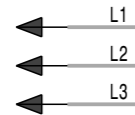


CAVITY



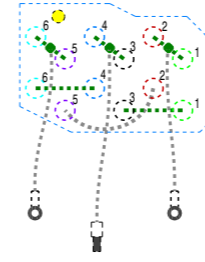
**6 1/1**  
380-480V

MA-L

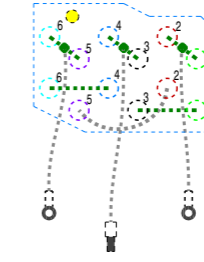


| Rated Voltage [V] | Supply Voltage [V] | CONVECTION |        | STEAM  |        |
|-------------------|--------------------|------------|--------|--------|--------|
|                   |                    | Ir [A]     | Ir [A] | Ir [A] | Ir [A] |
| 380-415           | 380                | 13.7       | 12.3   |        |        |
|                   | 400                | 14.4       | 13.0   |        |        |
|                   | 415                | 15.0       | 13.5   |        |        |
| 415-440           | 415                | 13.0       | 11.7   |        |        |
|                   | 430                | 13.4       | 12.1   |        |        |
|                   | 440                | 13.7       | 12.4   |        |        |
| 460-480           | 460                | 11.5       | 10.4   |        |        |
|                   | 480                | 12.0       | 10.8   |        |        |

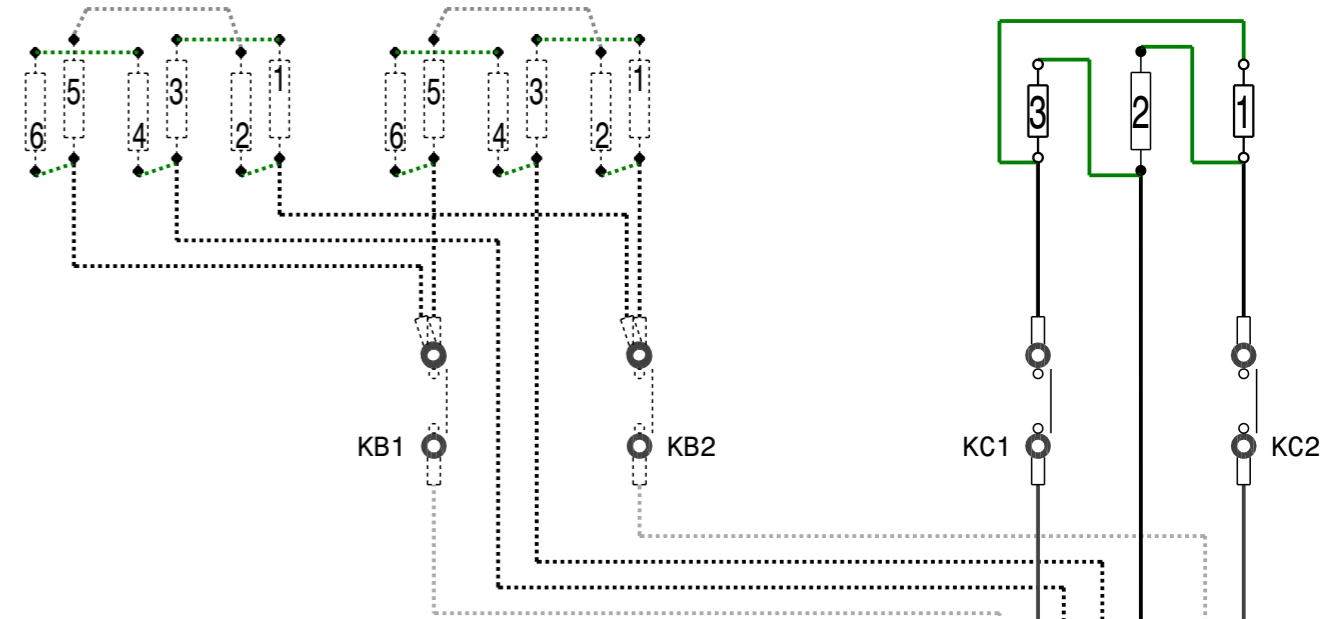
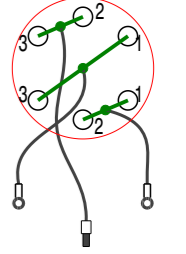
BOILER DOWN



BOILER UP

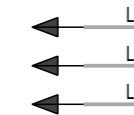


CAVITY



**10 1/1**  
380-480V

MA-L

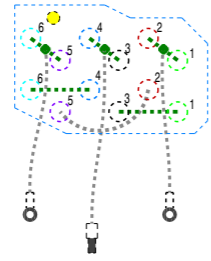


| Rated Voltage [V] | Supply Voltage [V] | CONVECTION |        | STEAM  |        |
|-------------------|--------------------|------------|--------|--------|--------|
|                   |                    | Ir [A]     | Ir [A] | Ir [A] | Ir [A] |
| 380-415           | 380                | 24.7       | 24.7   |        |        |
|                   | 400                | 26.0       | 26.0   |        |        |
|                   | 415                | 27.0       | 27.0   |        |        |
| 415-440           | 415                | 23.3       | 23.3   |        |        |
|                   | 430                | 24.2       | 24.2   |        |        |
|                   | 440                | 24.7       | 24.7   |        |        |
| 460-480           | 460                | 20.7       | 20.7   |        |        |
|                   | 480                | 21.7       | 21.7   |        |        |

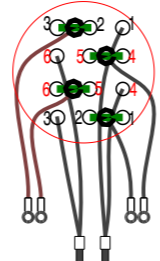
# ELECTRICAL POWER WIRING

# "ELECTRIC"

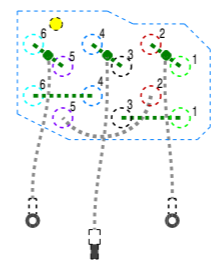
BOILER



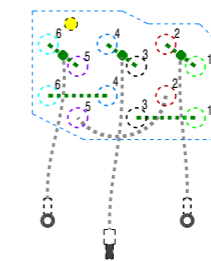
CAVITY



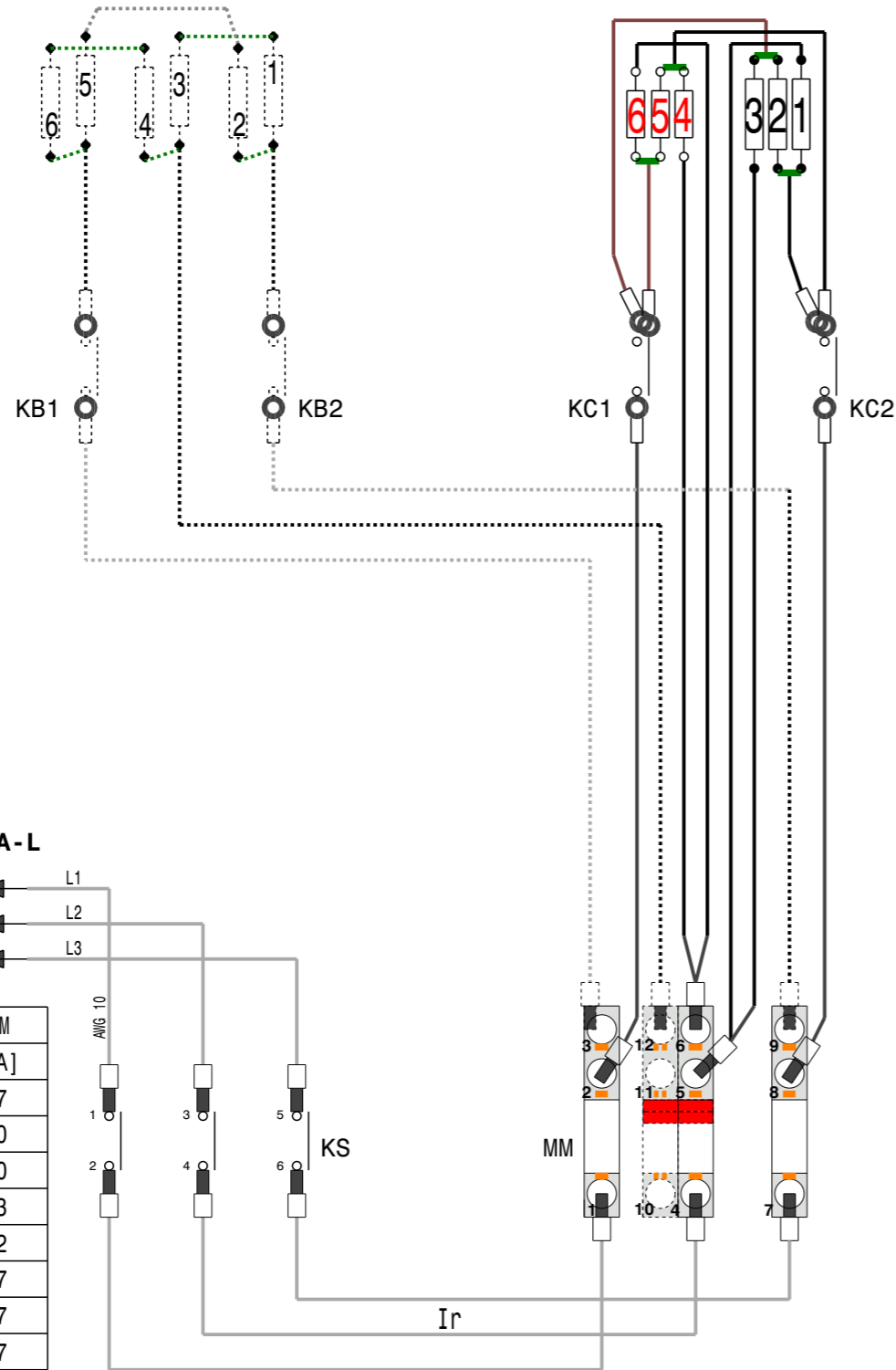
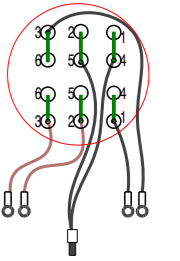
BOILER DOWN



BOILER UP



CAVITY



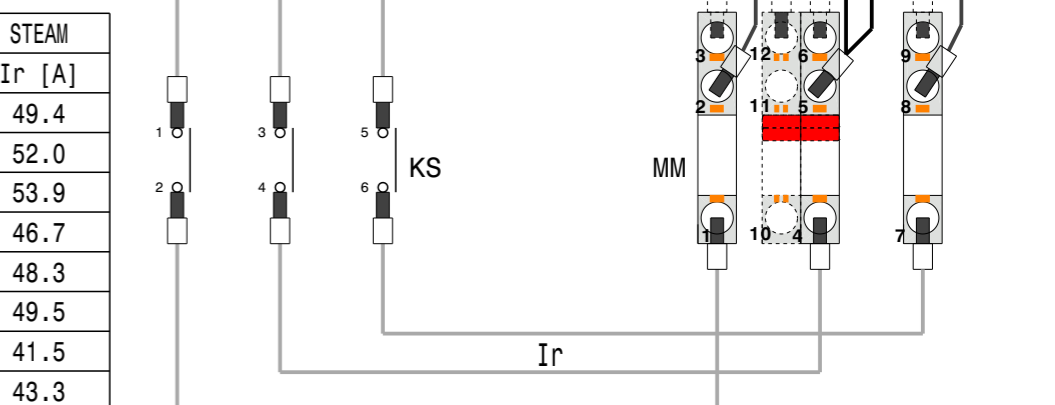
**6 2/1**  
380-480V

| Rated Voltage [V] | Supply Voltage [V] | CONVECTION |        | STEAM  |        |
|-------------------|--------------------|------------|--------|--------|--------|
|                   |                    | Ir [A]     | Ir [A] | Ir [A] | Ir [A] |
| 380-415           | 380                | 27.4       | 24.7   |        |        |
|                   | 400                | 28.9       | 26.0   |        |        |
|                   | 415                | 30.0       | 27.0   |        |        |
| 415-440           | 415                | 25.9       | 23.3   |        |        |
|                   | 430                | 26.9       | 24.2   |        |        |
| 460-480           | 440                | 27.5       | 24.7   |        |        |
|                   | 460                | 23.1       | 20.7   |        |        |
|                   | 480                | 24.1       | 21.7   |        |        |

**10 2/1**  
380-480V

| Rated Voltage [V] | Supply Voltage [V] | CONVECTION |        | STEAM  |        |
|-------------------|--------------------|------------|--------|--------|--------|
|                   |                    | Ir [A]     | Ir [A] | Ir [A] | Ir [A] |
| 380-415           | 380                | 46.6       | 49.4   |        |        |
|                   | 400                | 49.1       | 52.0   |        |        |
|                   | 415                | 50.9       | 53.9   |        |        |
| 415-440           | 415                | 44.1       | 46.7   |        |        |
|                   | 430                | 45.7       | 48.3   |        |        |
| 460-480           | 440                | 46.7       | 49.5   |        |        |
|                   | 460                | 39.2       | 41.5   |        |        |
|                   | 480                | 40.9       | 43.3   |        |        |

**MA-L**  
L1  
L2  
L3





Electrolux Professional SPA  
Viale Treviso 15  
33170 Pordenone  
[www.electrolux-professional.com](http://www.electrolux-professional.com)

NordCap GmbH & Co. KG  
Thalendorststraße 15  
28307 Bremen  
Hauptsitz (Service, Finanzen & Personal, Lager, IT, Marketing)

Telefon: +49 421 48557-0  
Telefax: +49 421 488650  
E-Mail: [bremen@nordcap.de](mailto:bremen@nordcap.de)

Die NordCap Verkaufsniederlassungen in Deutschland:

Nord: Hamburg • Ost: Berlin • Süd: Ingelheim • West: Erkrath

by **NordCap**<sup>®</sup>

**ZANUSSI**  
PROFESSIONAL