

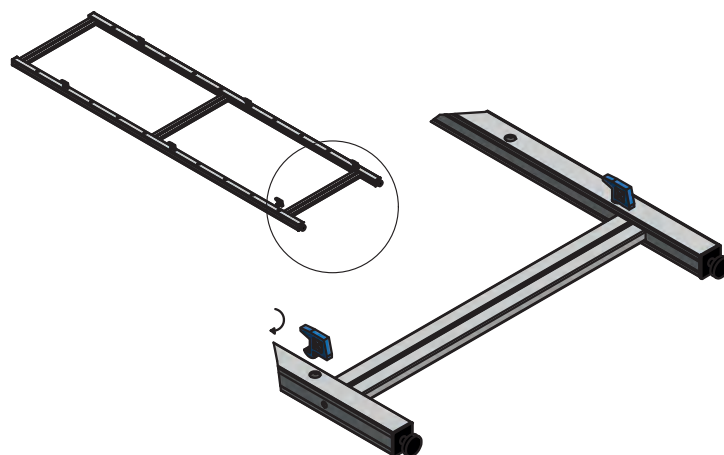
ASSEMBLY INSTRUCTIONS SHELF



EN | STEP 1

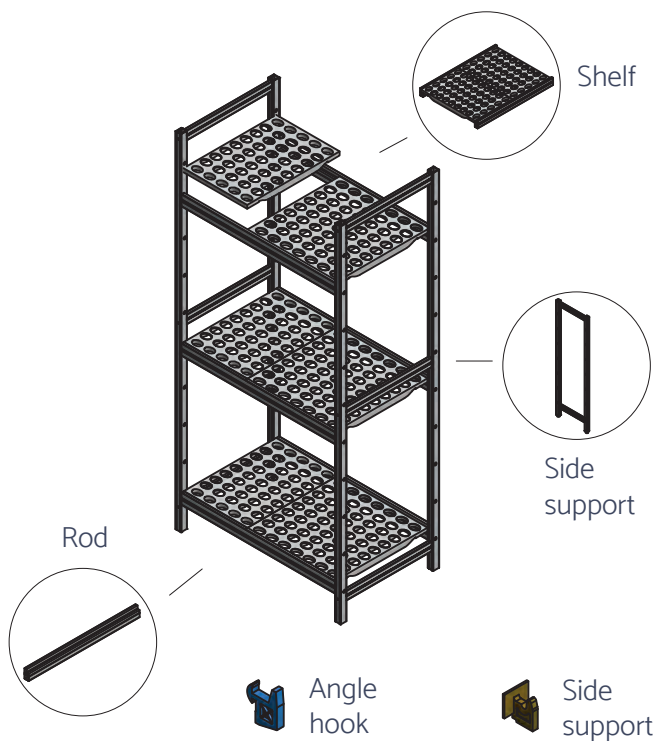


SHELF ASSEMBLY



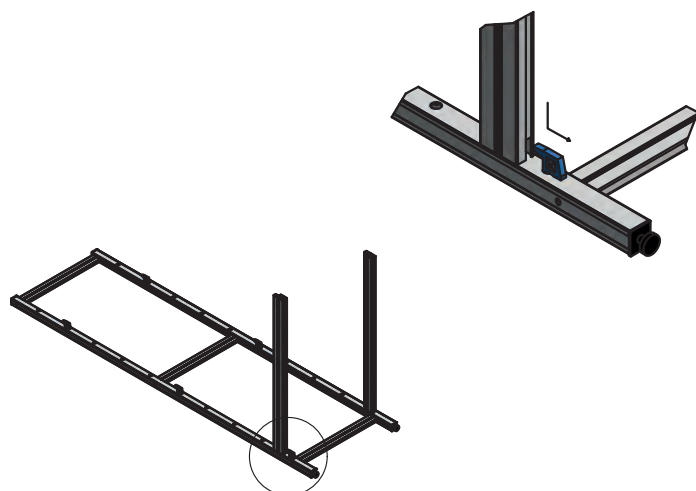
STEP 1

Place on the first side support two angle hooks in the lower holes, where the shelves will be placed. Lean this side support.



EN | STEP 2

SHELF ASSEMBLY

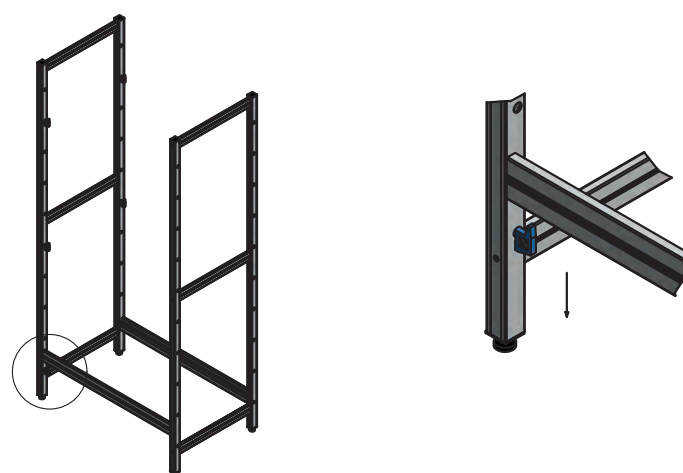


STEP 2

Place the rod lengths in their angle hooks.

EN | STEP 3

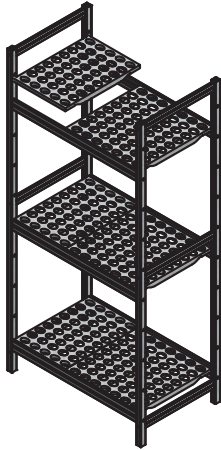
SHELF ASSEMBLY



STEP 3

Put the angle hooks on the other side support, into the same holes. Place the two rods in the lower part.

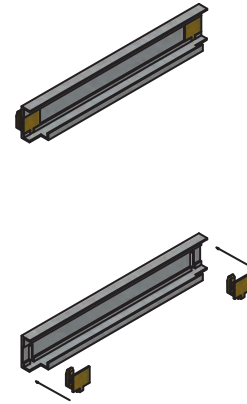
SHELF ASSEMBLY



STEP 4

Ensure that all rods are properly fitted and arrange the shelf.

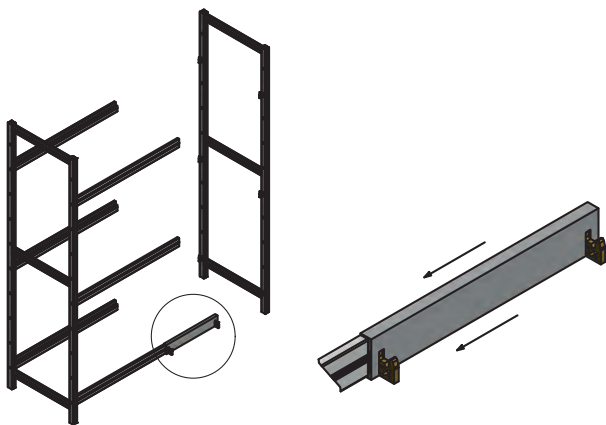
ASSEMBLING THE ANGLE STRUCTURE



STEP 1

Take out one of the shelf rod length. Put two angle hooks into the bar. Use the same number of bar angles as the number of shelves.

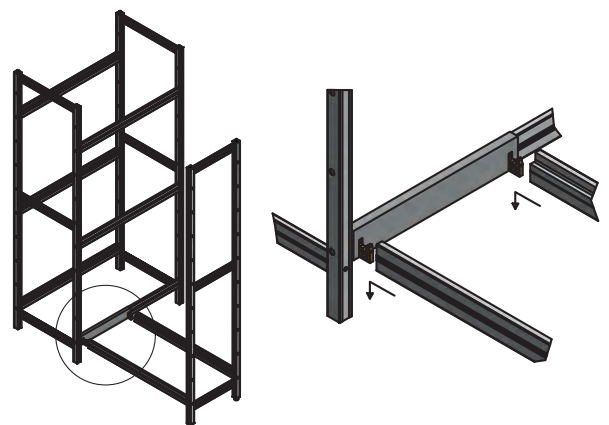
ASSEMBLING THE ANGLE STRUCTURE



STEP 2

Insert the angle bar with the angle hooks on the rod. Repeat the procedure for the number of angle bars equal to the number of shelves. Ensure that the supports are all in the same orientation.

ASSEMBLING THE ANGLE STRUCTURE



STEP 3

Place two supports on the same level of the assembled shelf in the new side support and later join it to the rods that form the angle. Assemble the remaining rods and at the end place the grids.