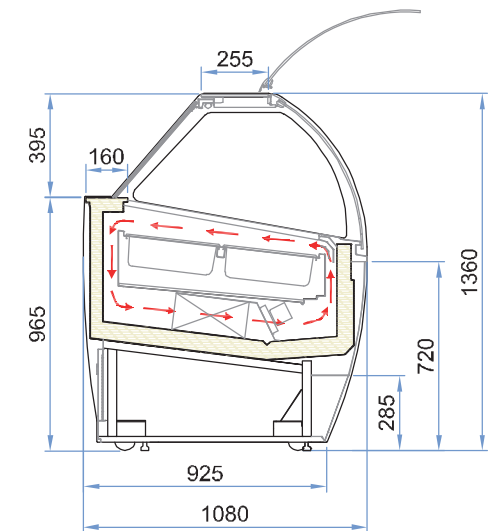


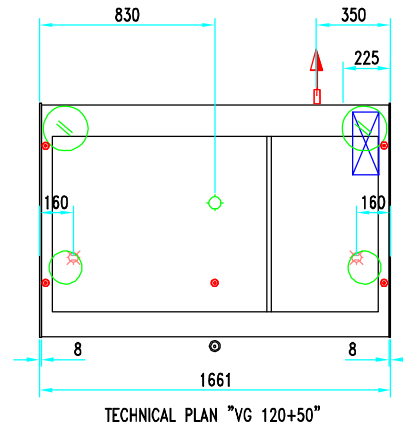
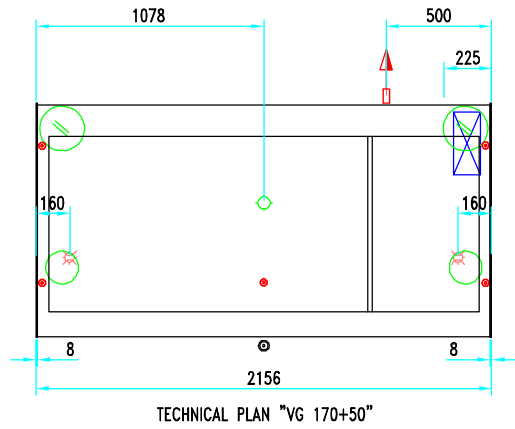
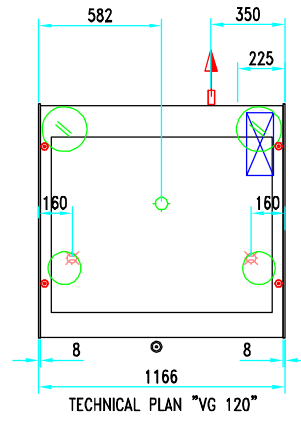
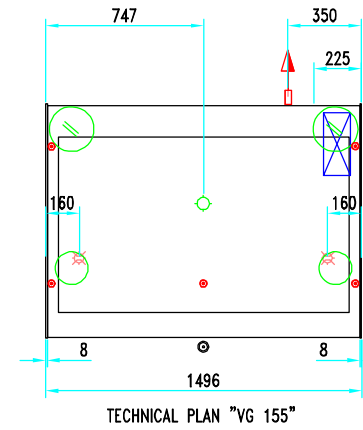
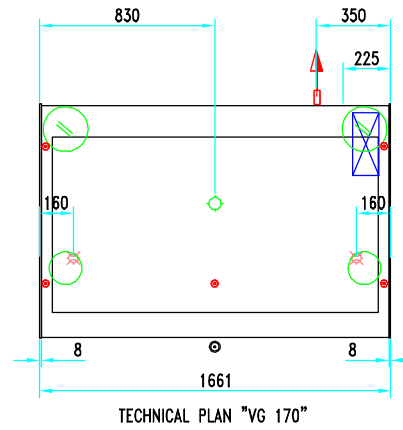
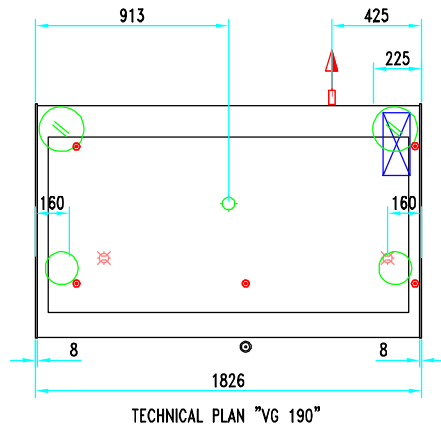
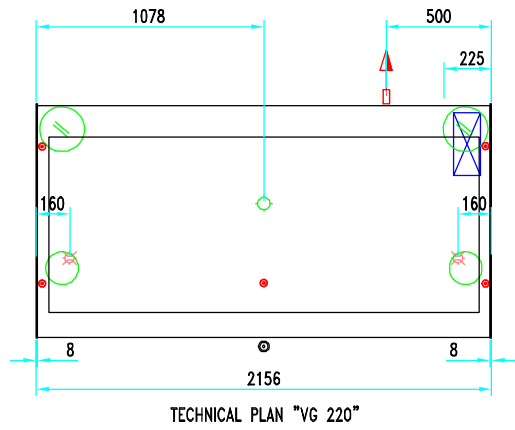
# Masszeichnung

## Kuchenvitrine Serie MILLENNIUM PASTRY H135

<b>Millennium</b>		<b>120</b>	<b>155</b>	<b>170</b>	<b>190</b>	<b>220</b>	
Gelato - Pastry							
<b>Dimensioni esterne (LxPxH)</b> External dimensions (LxDxH)	H117	ST	1165x1055x1175 mm	1495x1055x1175 mm	1660x1055x1175 mm	1825x1055x1175 mm	2155x1055x1175 mm
	H135	LX	1165x1080x1360 mm	1495x1080x1360 mm	1660x1080x1360 mm	1825x1080x1360 mm	2155x1080x1360 mm
<b>Peso (netto)</b> Weight (net)	H117	ST	195 kg	224 kg	252 kg	300 kg	348 kg
	H135	LX	200 kg	230 kg	260 kg	310 kg	360 kg
<b>Refrigerazione</b> Refrigeration			<b>Ventilata</b> Ventilated			<b>Ventilata</b> Ventilated	



LX - H135



- LEGENDA -

●	PIEDI APPOGGIO	CABINET FEET	○ 32
⊗	SCARICO	DRAIN PIPE	○ 25
○	ALLACCIAMENTO GAS	REFRIGERANT PIPING	
○	USCITA CAVI	CABLE OUTLET	
⊠	QUADRO COMANDO	CONTROL BOARD	
○	RUOTA	WHEEL	
○	RUOTA+FRENO	WHEEL+BRAKE	
⊙	LATO CLIENTE	CUSTOMER SIDE	
⊠	PASSAGGIO TUBI IN PEDANA	CROSSING PIPES	

