

FRIGORIFERO DIGITALE

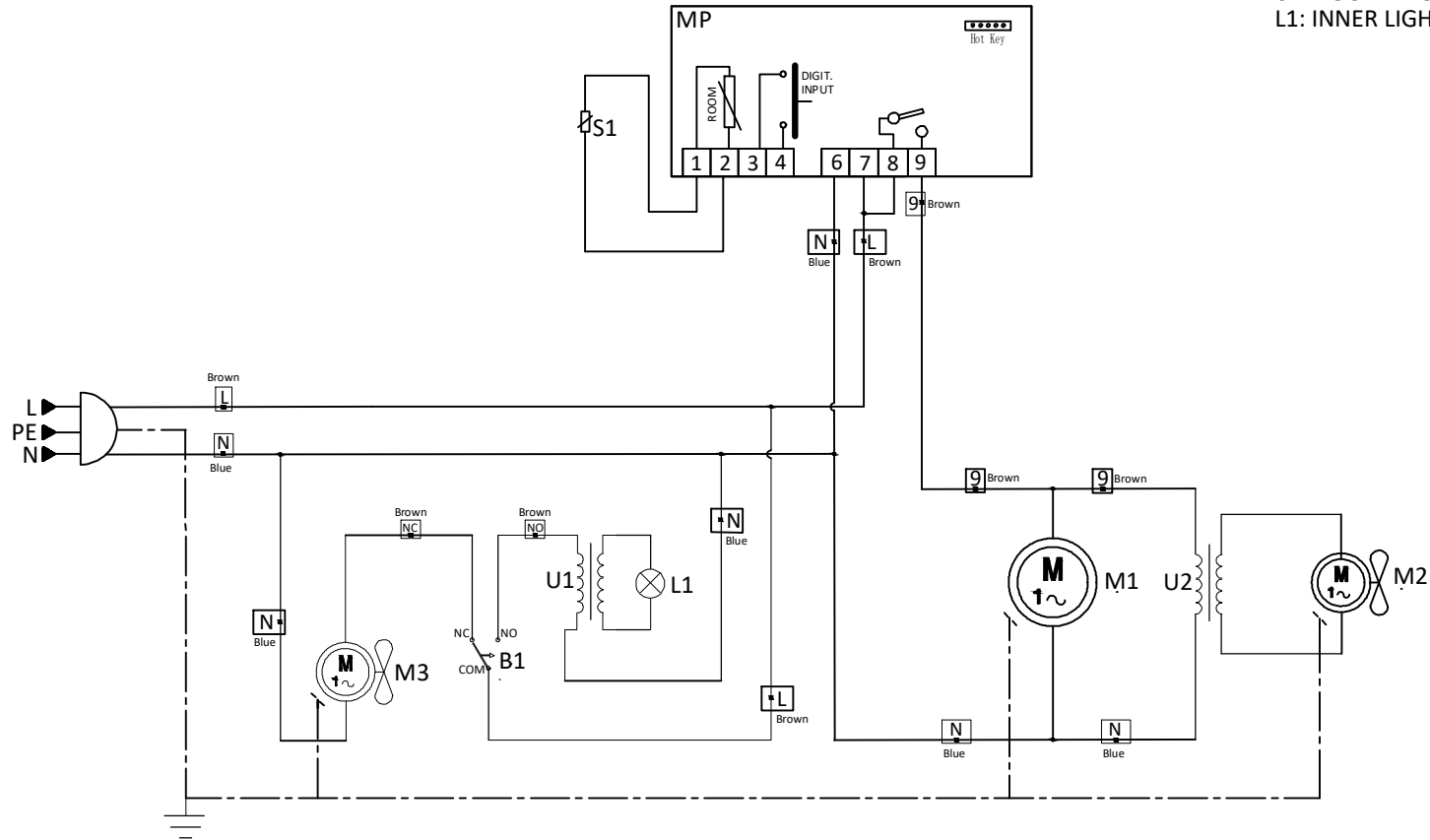
LEGENDA

- B1: MICRO PORTA
- M1: COMPRESSORE
- M2: VENTILATORE CONDENSATORE
- M3: VENTILATORE CELLA
- MP: TERMOREGOLATORE DIGITALE
- U1/U2: TRASFORMATTORE
- S1: SONDA CAMERA
- L1: LUCE INTERNA

DIGITAL REFRIGERATOR

LEGEND

- B1: DOOR SWITCH
- M1: COMPRESSOR
- M2: CONDENSER FAN
- M3: STORAGE COMPARTMENT FAN
- MP: DIGITAL THERMOREGULATOR
- U1/U2: TRANSFORMER
- S1: ROOM PROBE
- L1: INNER LIGHT



BY 460 UPRIGHT CHILLER SOLID DOOR