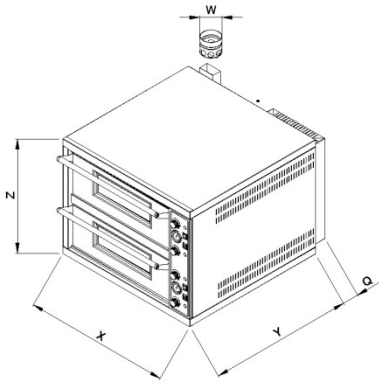
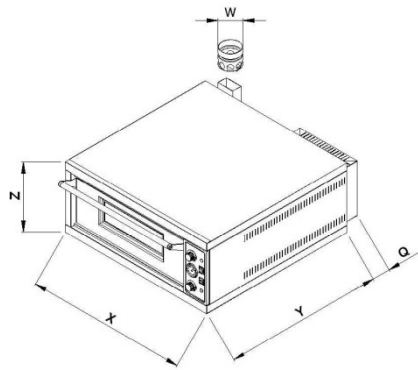


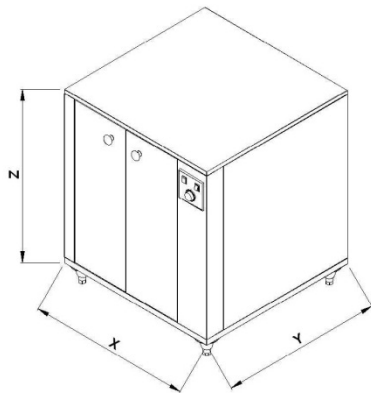
Fig. 1



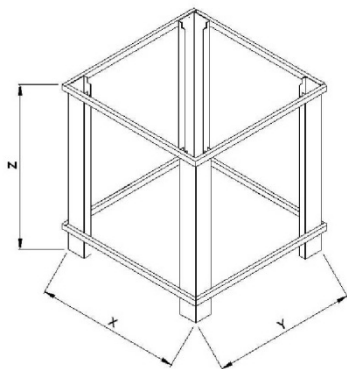
PD iD/D	Xcm	Ycm	Zcm	Qcm	Wcm	kg
60.60	85	84	66	8	10	133
72.72	99	95	66	11	16	175
65.105	92	129	66	11	16	200
105.105	132	129	66	11	16	282
105.65	132	89	66	11	16	208



PM iD/M	Xcm	Ycm	Zcm	Qcm	Wcm	kg
60.60	85	84	37	8	10	80
72.72	99	95	37	11	16	105
65.105	92	129	37	11	16	118
105.105	132	129	37	11	16	164
105.65	132	89	37	11	16	123



L	Xcm	Ycm	Zcm	kg
60.60/70	85	84	70	60
60.60/100	85	84	100	67
72.72/100	99	95	100	79
65.105/100	92	129	100	67
105.105/100	132	129	100	110
105.65/100	132	89	100	76



S	Xcm	Ycm	Zcm	kg
60.60/60	85	84	60	18
72.72/60	99	95	60	20
65.105/60	92	129	60	26
105.105/60	132	129	60	30
105.65/60	132	89	60	25
60.60/90	85	84	90	22
72.72/90	99	95	90	24
65.105/90	92	129	90	30
105.105/90	132	129	90	34
105.65/90	132	89	90	29

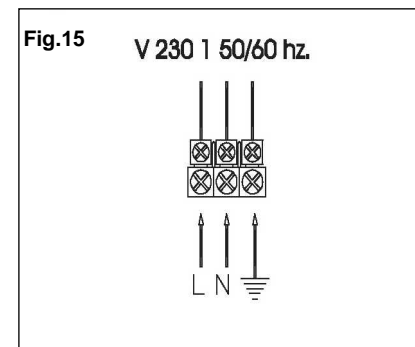
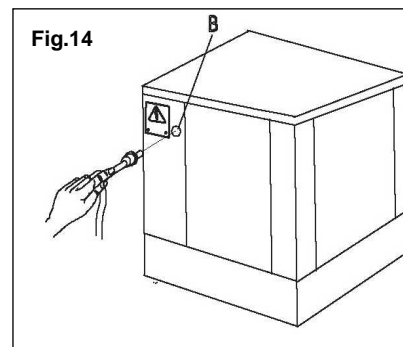
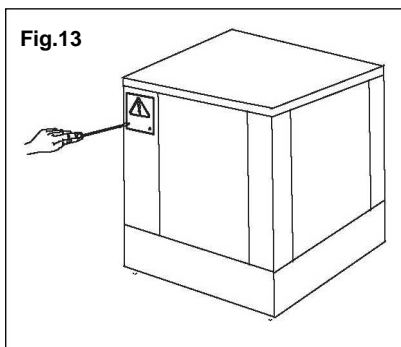
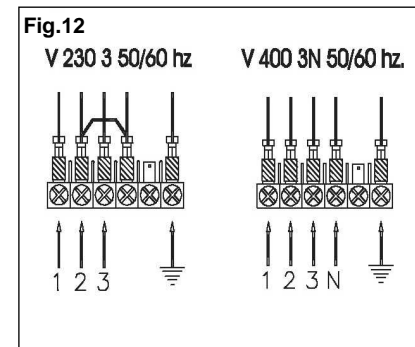
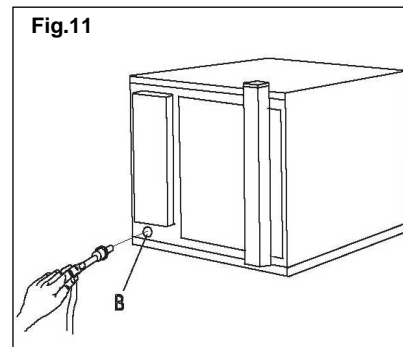
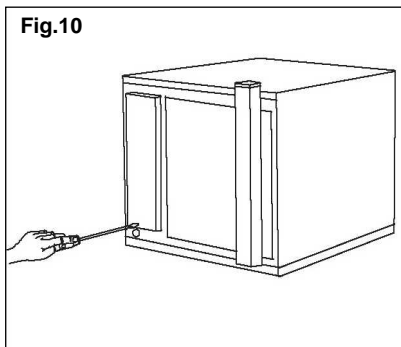
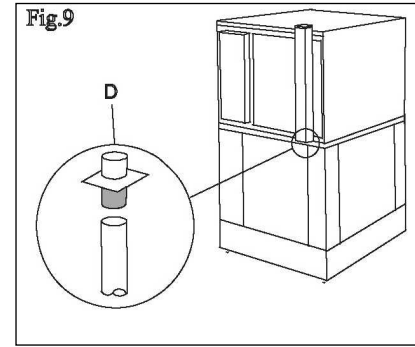
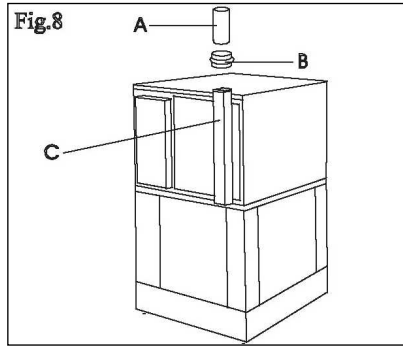
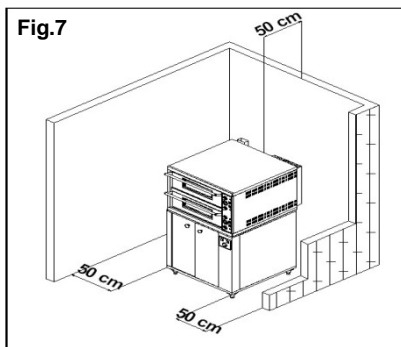
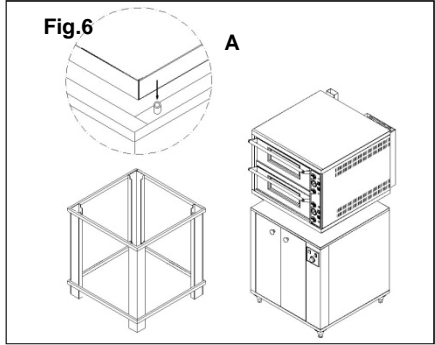
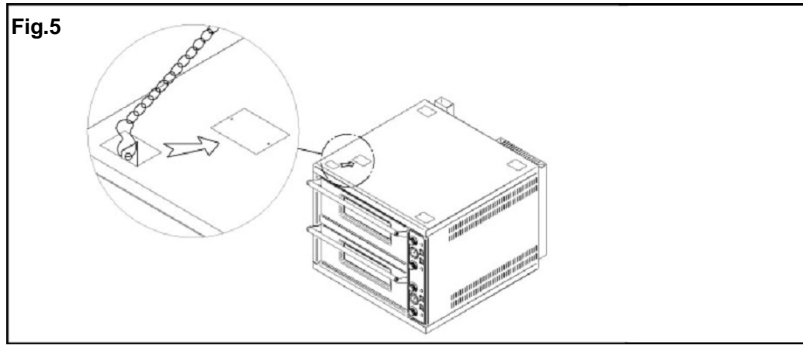
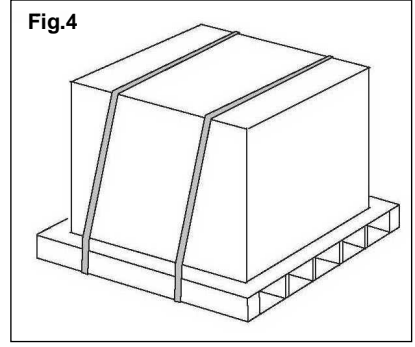
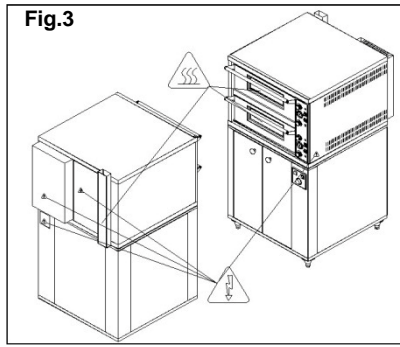
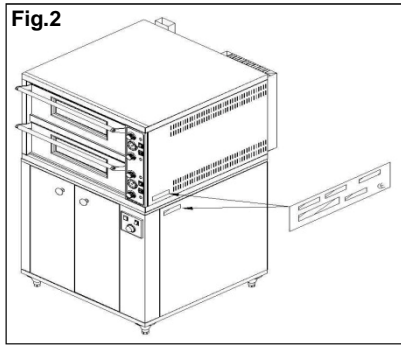


Fig.16A

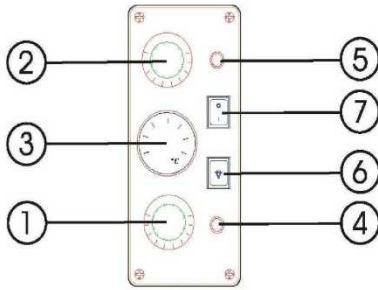


Fig.16B

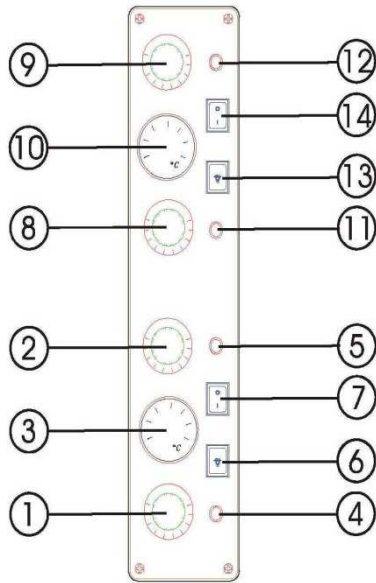


Fig.17

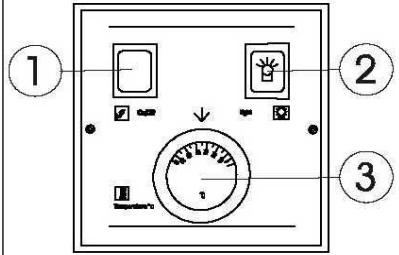


Fig.18



Fig.19

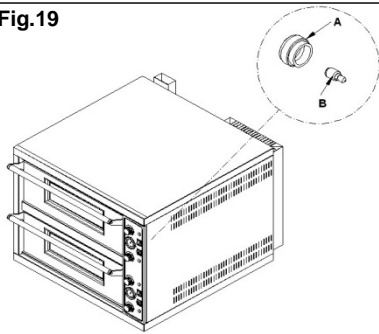


Fig.20

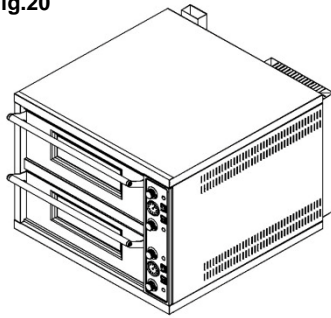


Fig.21

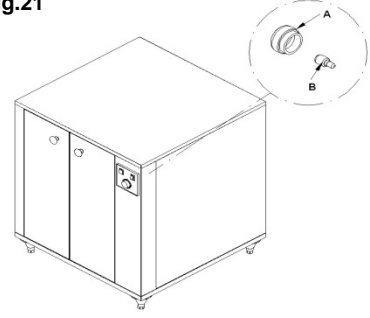
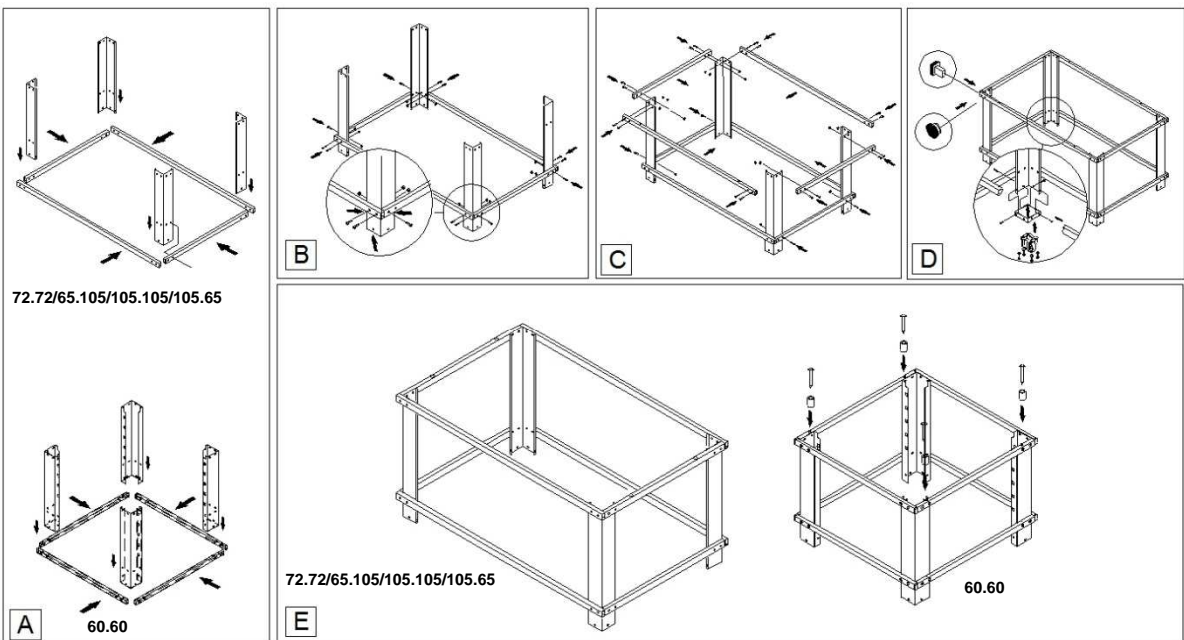


Fig.22



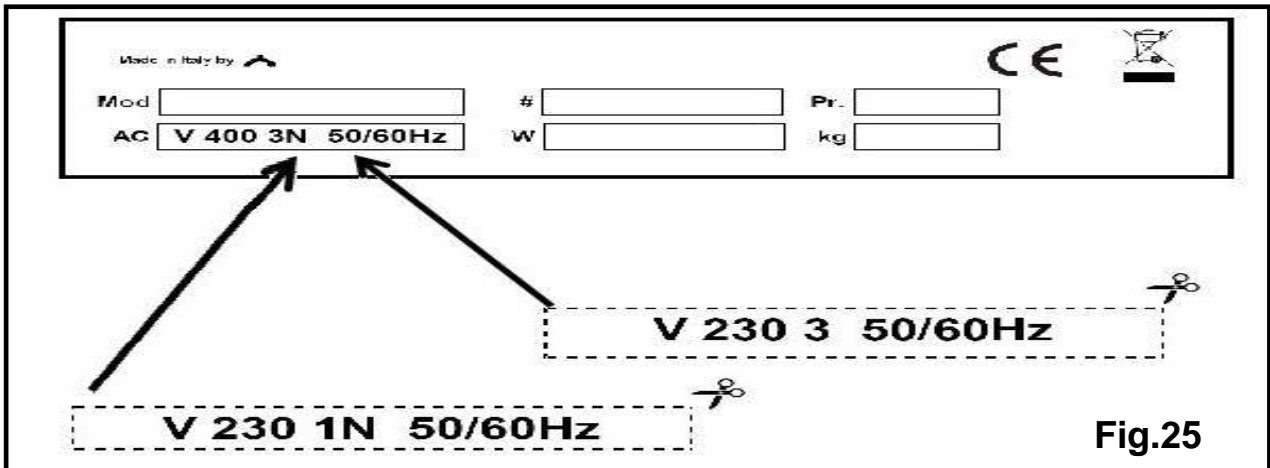
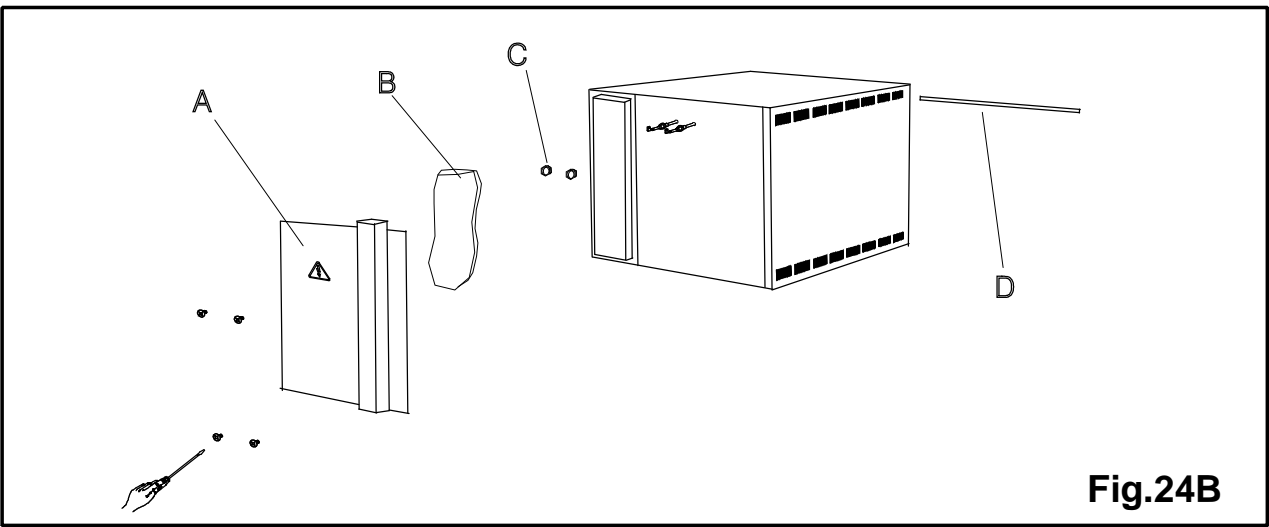
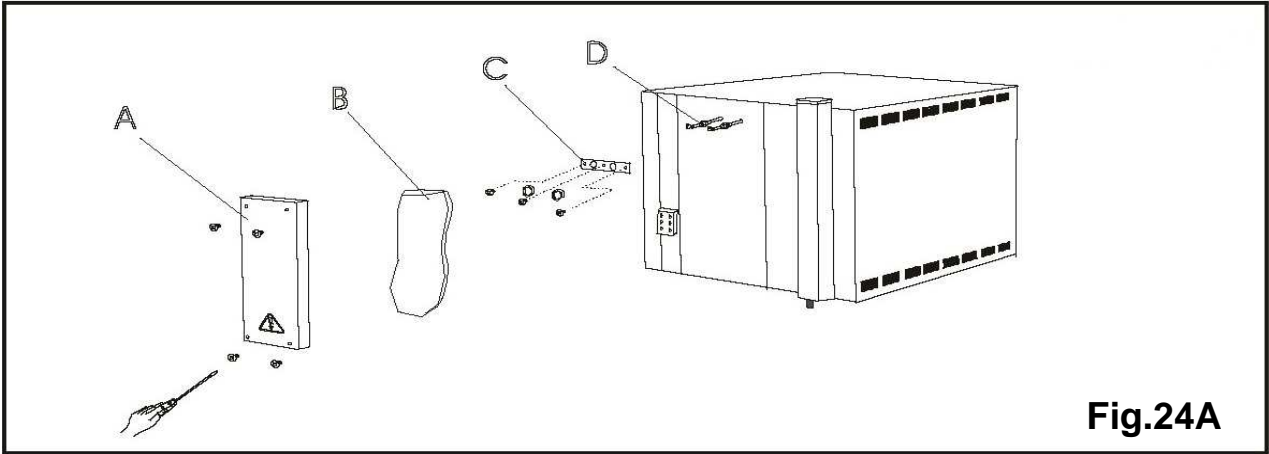
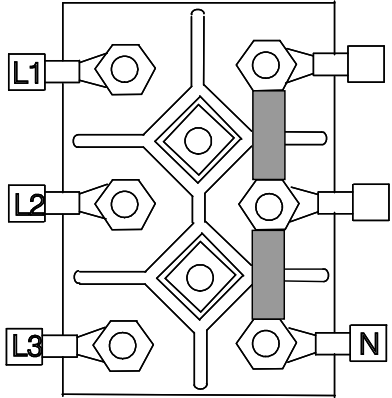
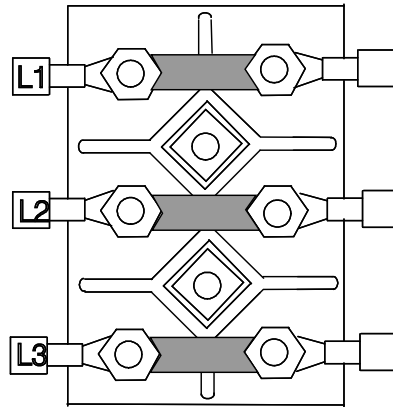


Fig.26

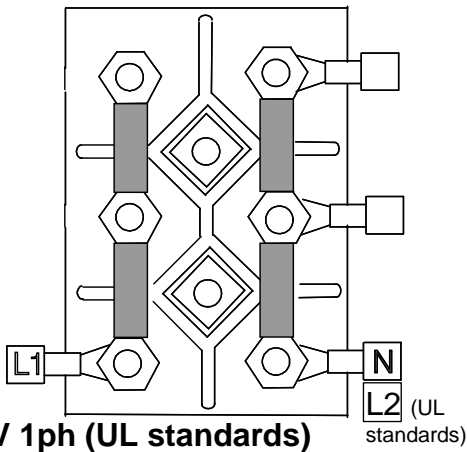
400V 3N (PD 60.60 iD/D 60.60)



230V 3 (PD 60.60 iD/D 60.60)

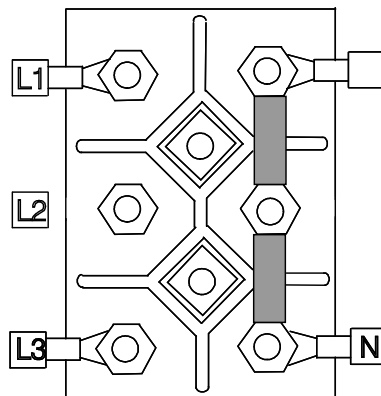


230V 1N (PD 60.60 iD/D 60.60)

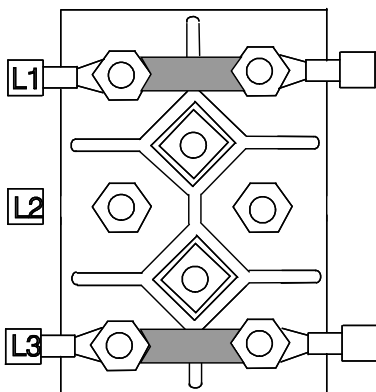


230V 1ph (UL standards)

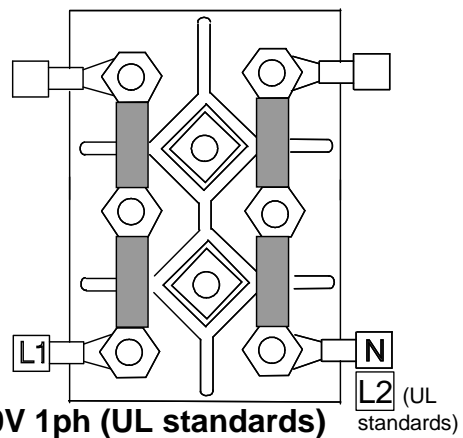
400V 3N (PM 60.60 iD/M 60.60)



230V 3 (PM 60.60 iD/M 60.60)



230V 1N (PM 60.60 iD/M 60.60)



230V 1ph (UL standards)

FIG 27



FIG 28

