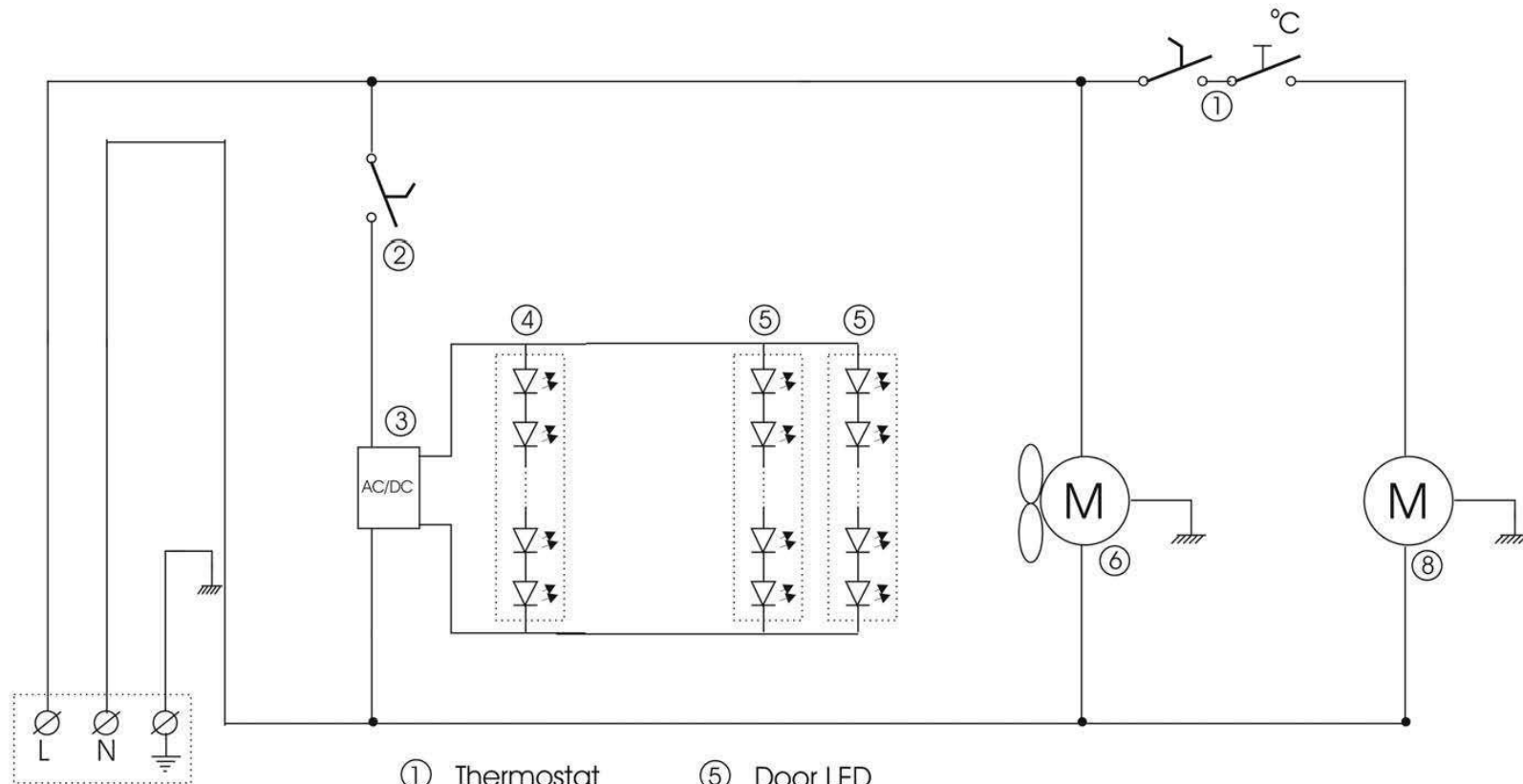


Schaltplan

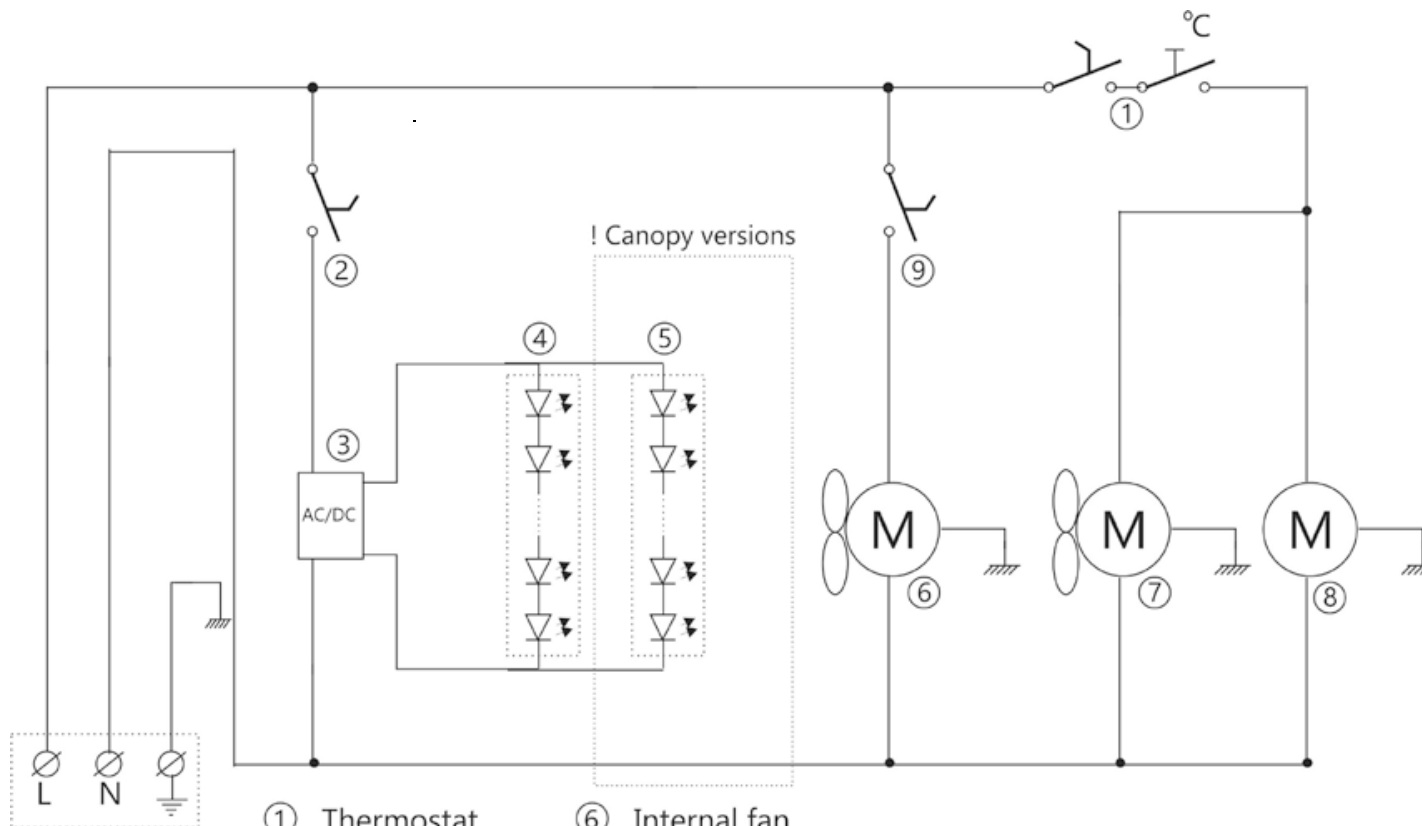
Gewerbekühlschrank KU 385 G

[Art. 435800440]



- ① Thermostat
- ② Light switch
- ③ Power supply
- ④ Canopy LED
- ⑤ Door LED
- ⑥ Internal fan
- ⑧ Compressor

	Date: 170327
	Rev.: 01
Wiring diagram	Rev. by: rfj
Drawing no.:	



- ① Thermostat
- ② Light switch
- ③ Power supply
- ④ Internal LED
- ⑤ Canopy LED
- ⑥ Internal fan
- ⑦ Condenser fan
- ⑧ Compressor
- ⑨ Door switch (Option)