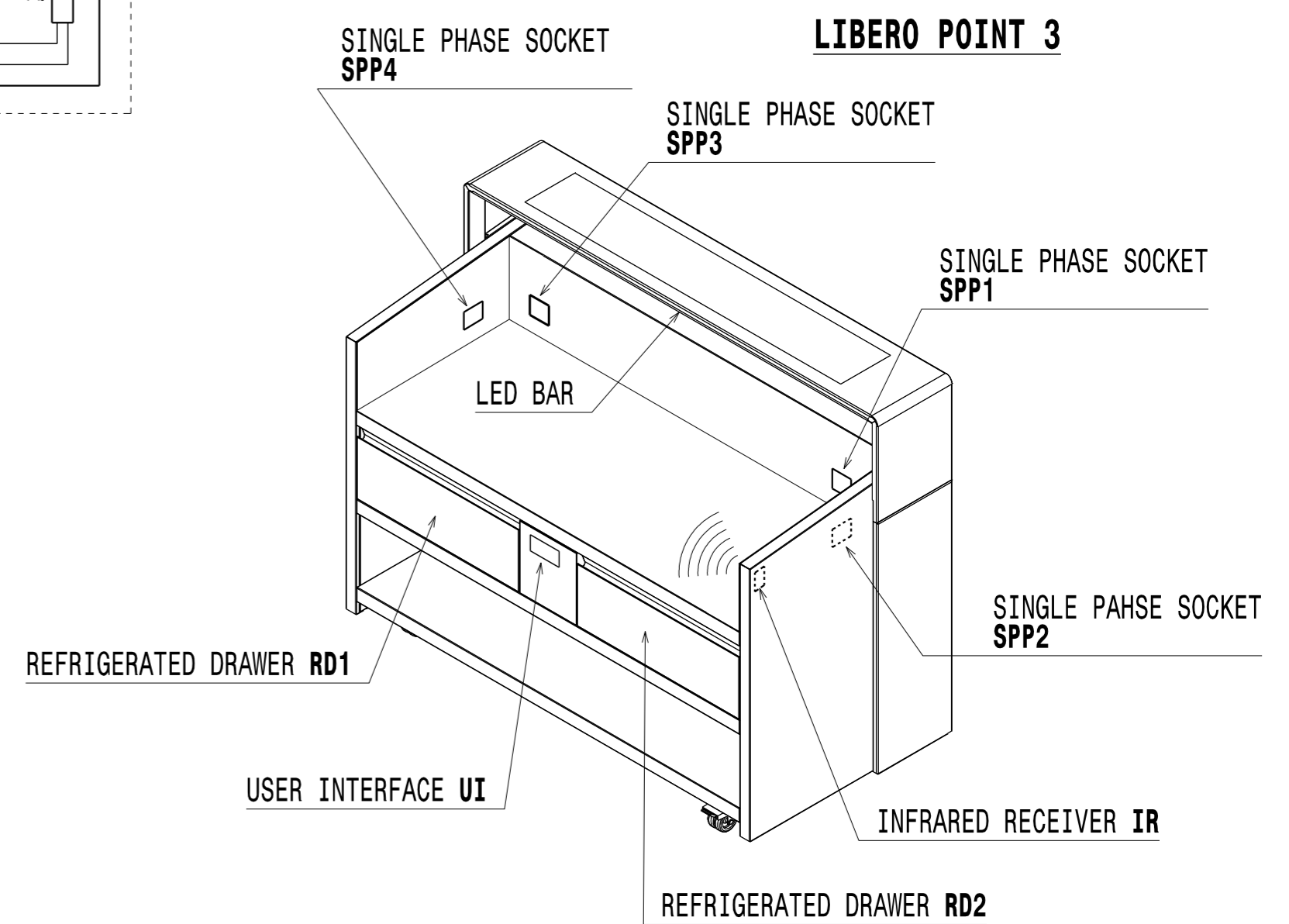
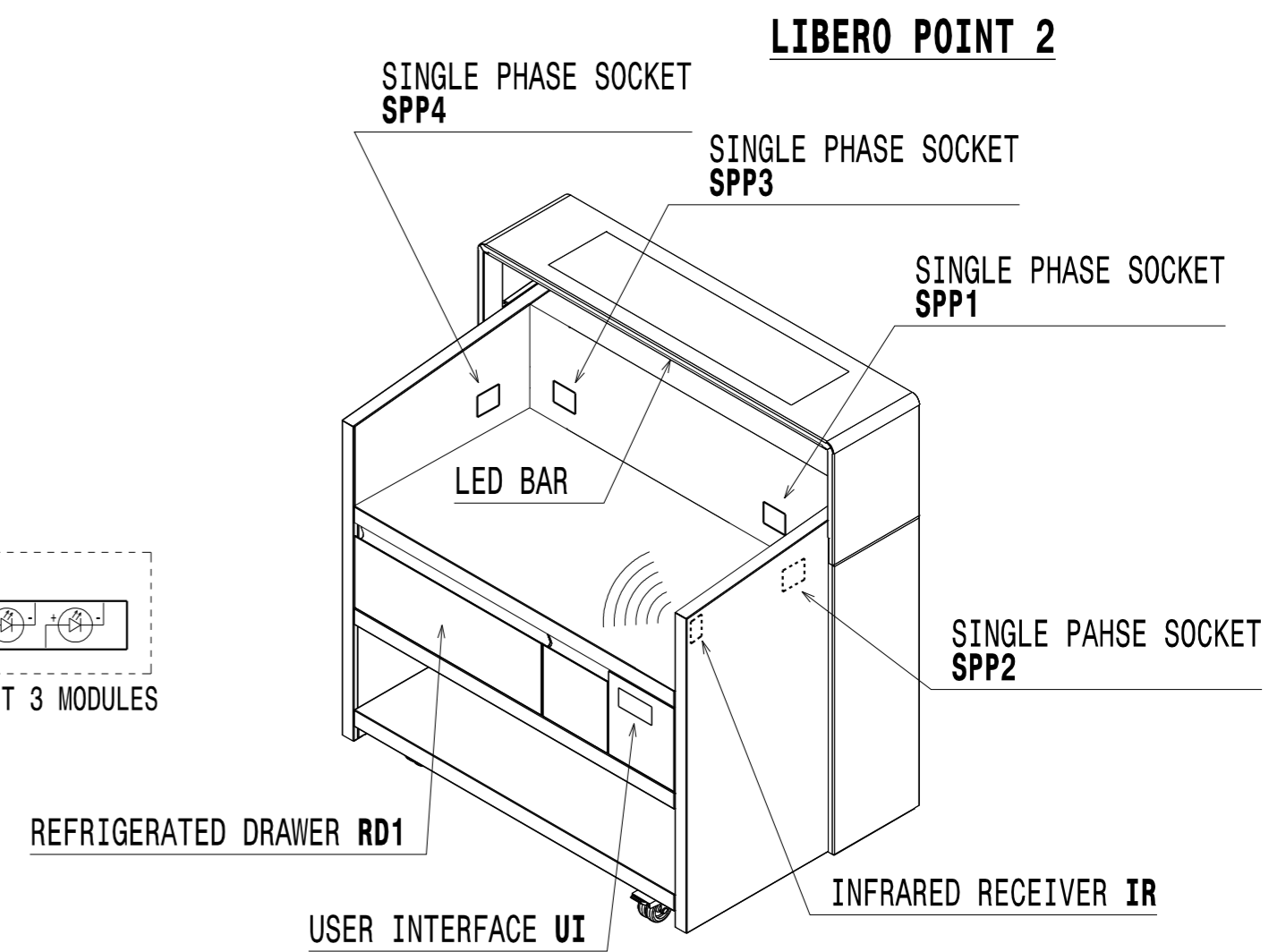
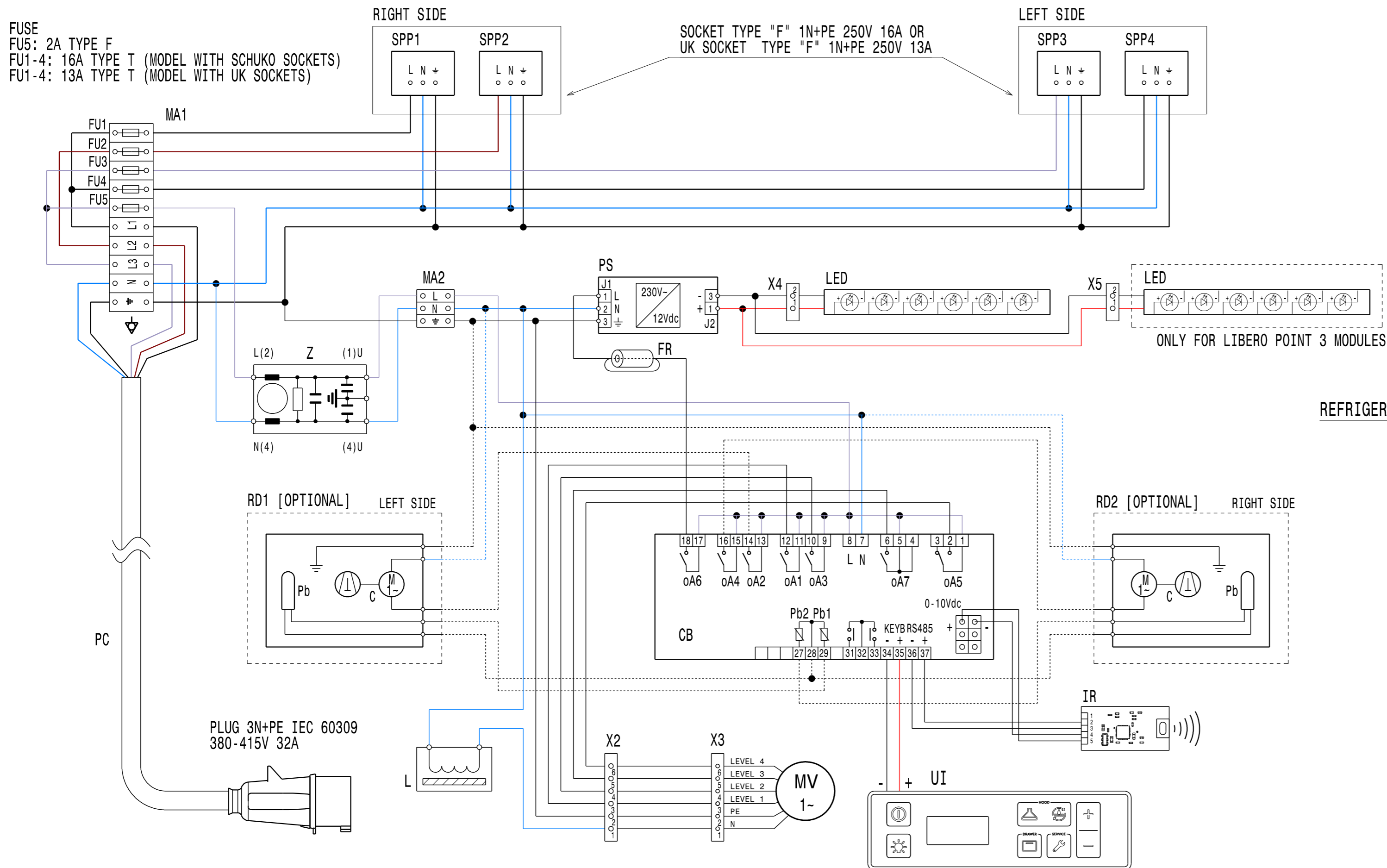


# Schaltplan

## Neutrales Kochtresen-Element **NTEC3-1P**

[Art. 406352082]





MA1-2	MORSETTIERA	TERMINAL BLOCK
RD1	CASSETTO REFRIGERATO SX	REFRIGERATED DRAWER SX
RD2	CASSETTO REFRIGERATO DX	REFRIGERATED DRAWER DX
MV	MOTOVENTILATORE	FAN MOTOR
UI	INTERFACCIA UTENTE	USER INTERFACE
CB	SCHEDA DI CONTROLLO	CONTROL BOARD
IR	RICEVITORE INFRAROSSI	INFRARED RECEIVER
FU1-5	FUSIBILE	FUSE
SPP1-4	PRESA MONOFASE	SINGLE PHASE SOCKET
LED	BARRA LED	LED STRIP
PS	ALIMENTATORE 12Vdc	POWER SUPPLY 12Vdc
X2-5	CONNETTORE	CONNECTOR
PC	CAVO DI ALIMENTAZIONE	POWER CORD
Z	FILTRO ANTIDISTURBO	SUPPRESSOR FILTER
FR	FERRITE	FERRITE
L	INDUTTANZA	INDUCTANCE

MODELS WITHOUT REFRIGERATED DRAWERS:  
 380-415V- 3N 50/60Hz  
 MAX POWER 300W (WITHOUT CONSIDER SOCKETS LOAD)  
 MAX AMPACITY 32A

MODELS WITH REFRIGERATED DRAWERS:  
 380-415V- 3N 50Hz  
 380-400V- 3N 60Hz  
 MAX POWER 400W (WITHOUT CONSIDER SOCKETS LOAD)  
 MAX AMPACITY 32A

NordCap GmbH & Co. KG  
Thalenhorststraße 15  
28307 Bremen  
Hauptsitz (Service, Finanzen & Personal, Lager, IT, Marketing)

Telefon: +49 421 48557-0  
Telefax: +49 421 488650  
E-Mail: [bremen@nordcap.de](mailto:bremen@nordcap.de)

Die NordCap Verkaufsniederlassungen in Deutschland:

Nord: Hamburg • Ost: Berlin • Süd: Ingelheim • West: Erkrath

by **NordCap**<sup>®</sup>

**ZANUSSI**  
PROFESSIONAL