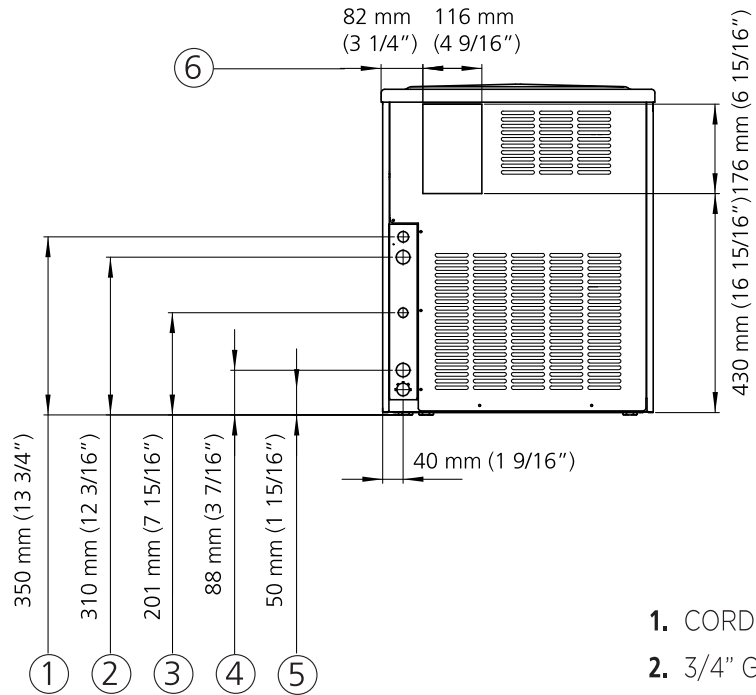


# Masszeichnung

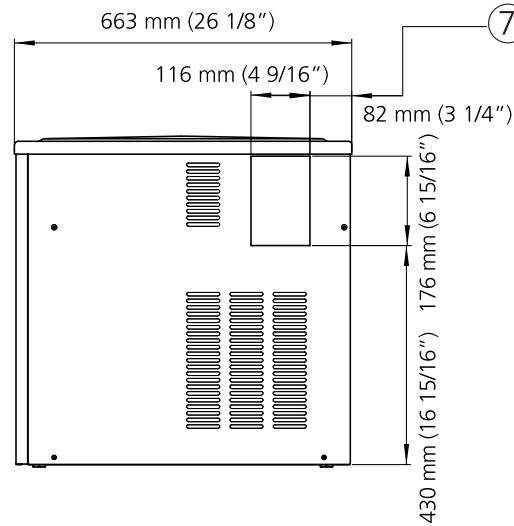
## Flockeneisbereiter SP 405 L / W

[Art. 413240000011] / [Art. 413240000021]

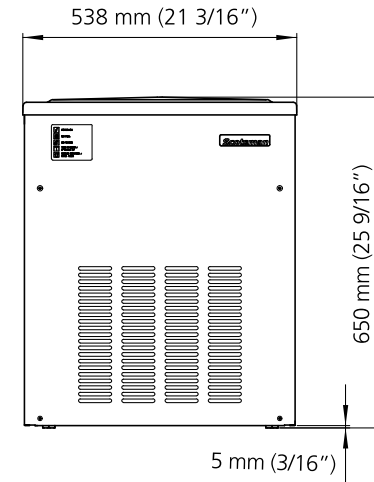
REAR VIEW



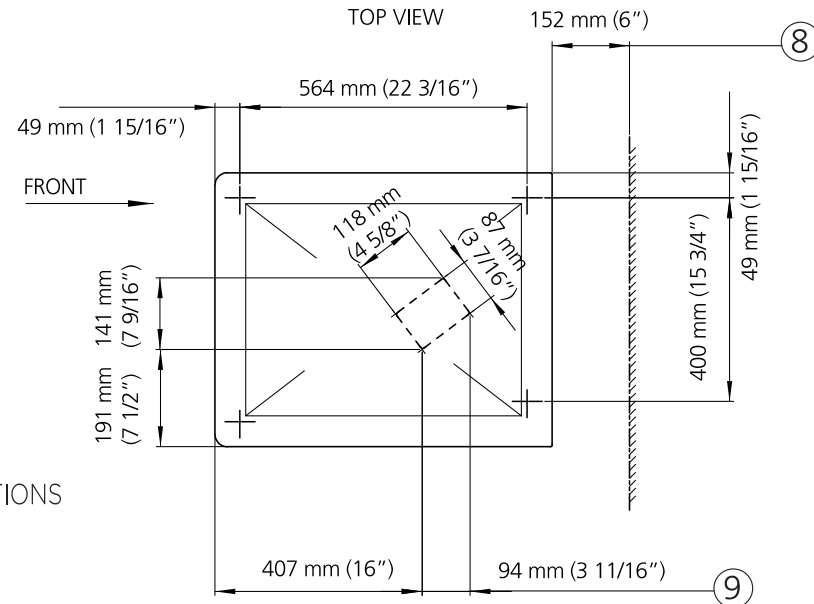
SIDE VIEW



FRONT VIEW



TOP VIEW



1. CORD SET
2. 3/4" GAS WATER INLET
3. 3/4" GAS WATER INLET  
WATER COOLED ONLY
4. 3/4" GAS WATER OUTLET  
WATER COOLED ONLY
5. Ø 20mm WATER OUTLET
6. ICE EXIT BACK SIDE
7. ICE EXIT RIGHT PANEL SIDE
8. MIN. FOR UTILITY CONNECTIONS
9. ICE EXIT BOTTOM SIDE