

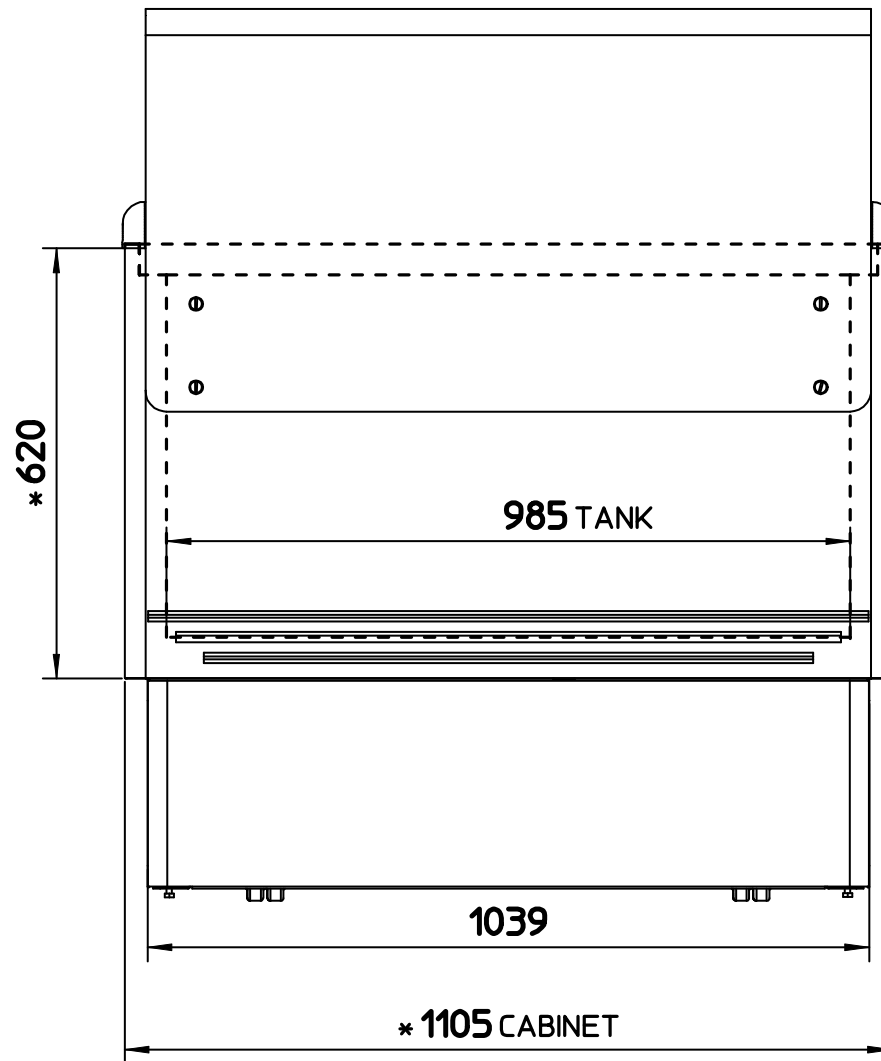
# Masszeichnung

## Speiseeisvitrine DOLCHE VITA 8-LX

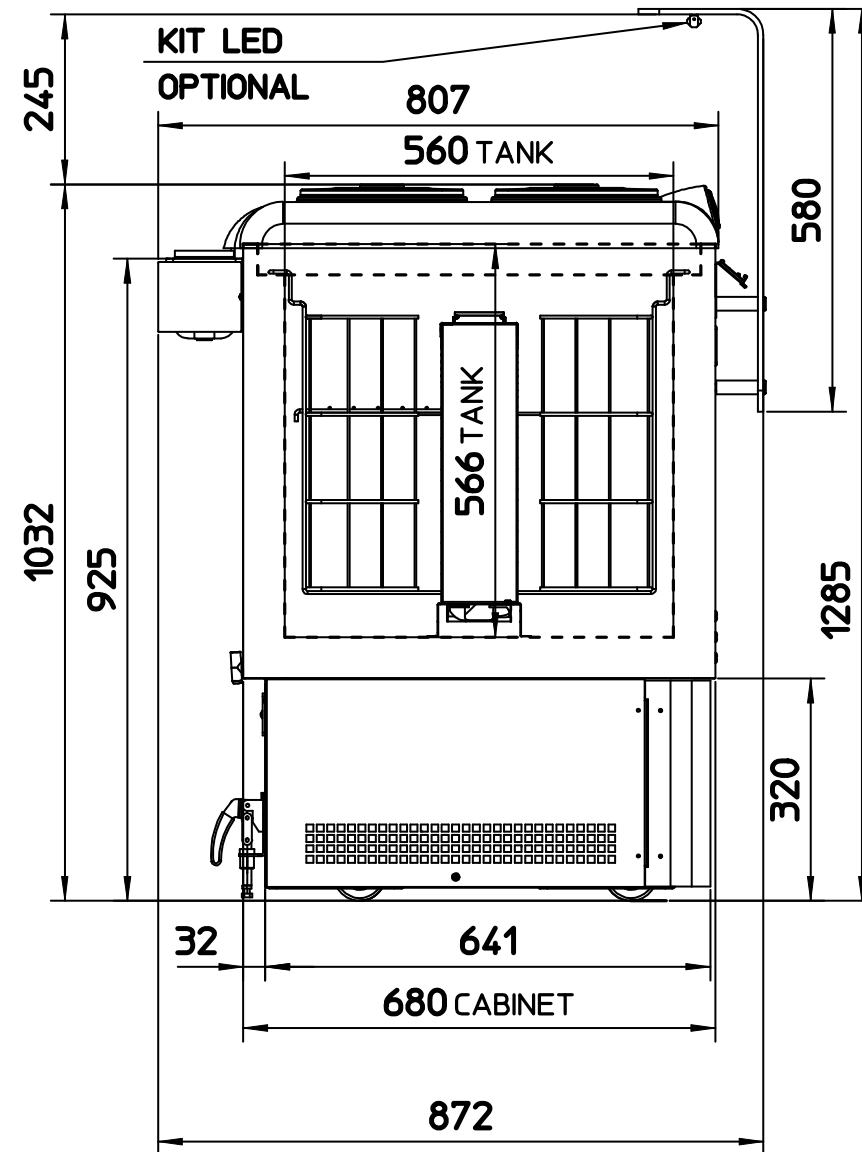
[Art. 46543690200]

NordCap®

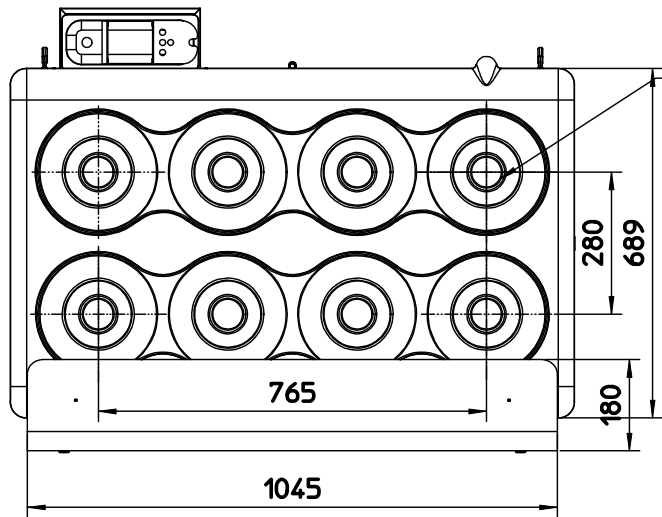
PROFESSIONELL KÜHLEN



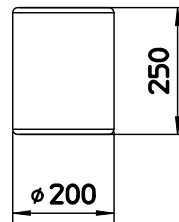
**\*CUSTOMIZATION AREA**



MAX DIMENSION	mm	1105x807x1030 h
MAX DIMENSION WITH OPTIONAL	mm	1105x872x1285 h
GROSS CAPACITY	dmc	305
NET CAPACITY	dmc	245
NET WEIGHT	kg	**
GROSS WEIGHT	Kg	**
PACKED DIMENSION	mm	1205x780x1117 h



**ONLY FOR ICE CREAM  
CONTAINERS DIAMETER 200**



**N° 8+8 (STORAGE)  
ICE CREAM CONTAINERS**

